



PIECES DETACHEES

Motoculteur

KC350F - FW



Yvon Béal 21, Av. de l'agriculture - B.P. 16
Z.I. du Brézet 63014 Clermont-Ferrand Cedex 2
Tél : 04 73 91 92 51 Téléphone : 04 73 90 23 11
www.yvonbeal.fr Email : info@yvonbeal.fr
R.C. B 304 973 886 - SIREN 304 973 886

1603-098-1000-0

03-000212-050211

CONTENTS

PAGE

ENGINE(KT350 : 2 cycle type) 1~9

ENGINE(KF345 : 4 cycle type)

Fig. 1 ENGINE 11
Moteur

Fig. 2 CARBURETOR 17
Carburateur

Fig. 3 AIR CLEANER 18
Filtre a air

Fig. 4 FUEL FILTER 19
Decanteur

Fig. 5 MAGNETO 20
Decanteur

CHASSIS

Fig. 6 FRONT FRAME(For KC350 No. 1~6750) 23
Longeron

Fig. 7 FRONT FRAME(No. 6751~)(FNo. 100001~) 27
Longeron

Fig. 8 TRANSMISSION GEAR CASE(For KC350) 31
Boitier de reducteur

Fig. 9 TRANSMISSION GEAR CASE(For KC350F) 33
Boitier de reducteur

Fig. 10 TRANSMISSION GEAR 35
Reducteur

Fig. 11 SHIFTER 37
Fourchettes

Fig. 12 HANDLE FRAME 41
Mancherons

Fig. 13 CONTROL SYSTEM 45
Commandes

		PAGE
Fig. 13A	CONTROL SYSTEM(W-type) Commandes	49
Fig. 14	BONNET and FUEL TANK(4cycle type) Reservoir et capot	51
Fig. 14A	BONNET and FUEL TANK(2cycle type) Reservoir et capot	53
Fig. 15	BELT DRIVE(4cycle type) Courroie intermediaire	55
Fig. 15A	BELT DRIVE(W-type) Courroie intermediaire	59
Fig. 15B	BELT DRIVE(2cycle type) Courroie intermediaire	61
Fig. 16	WHEEL and WHEEL PIPE Roues	63
Fig. 17	PULLEY, SCRATCH FENDER, FRONT HITCH and PARKING BRAKE Poulie, garde-boue, attelage et frein	67
Fig. 18	RECOIL STARTER(4cycle type) Lanceur	71
Fig. 19	TOOLS Outils	73
Fig. 20	ROTARY BELT DRIVE Courroie intermediaire	75
Fig. 21	REAR HITCH SYSTEM Mecanisme de securite	77
Fig. 22	ROTARY CHAIN CASE Transmission de rotobineuse	79
Fig. 23	ROTARY SHIFTER Embrayage de rotobineuse	81
Fig. 24	ROTARY PIPE Fraise	83
Fig. 25	ROTARY FRAME Enveloppe de rotobineuses	85

CONTENTS
TABLE DES MATIERES

ENGINE
Moteur

Fig.	E-1	ENGINE (KT350 312291C)	1
		Moteur	
Fig.	A-1	AIR CLEANER	6
		Filtre a air	
Fig.	C-1	CARBURETOR	7
		Carburateur	
Fig.	R-1	RECOIL STARTER	9
		Lanceur	

NOTE)

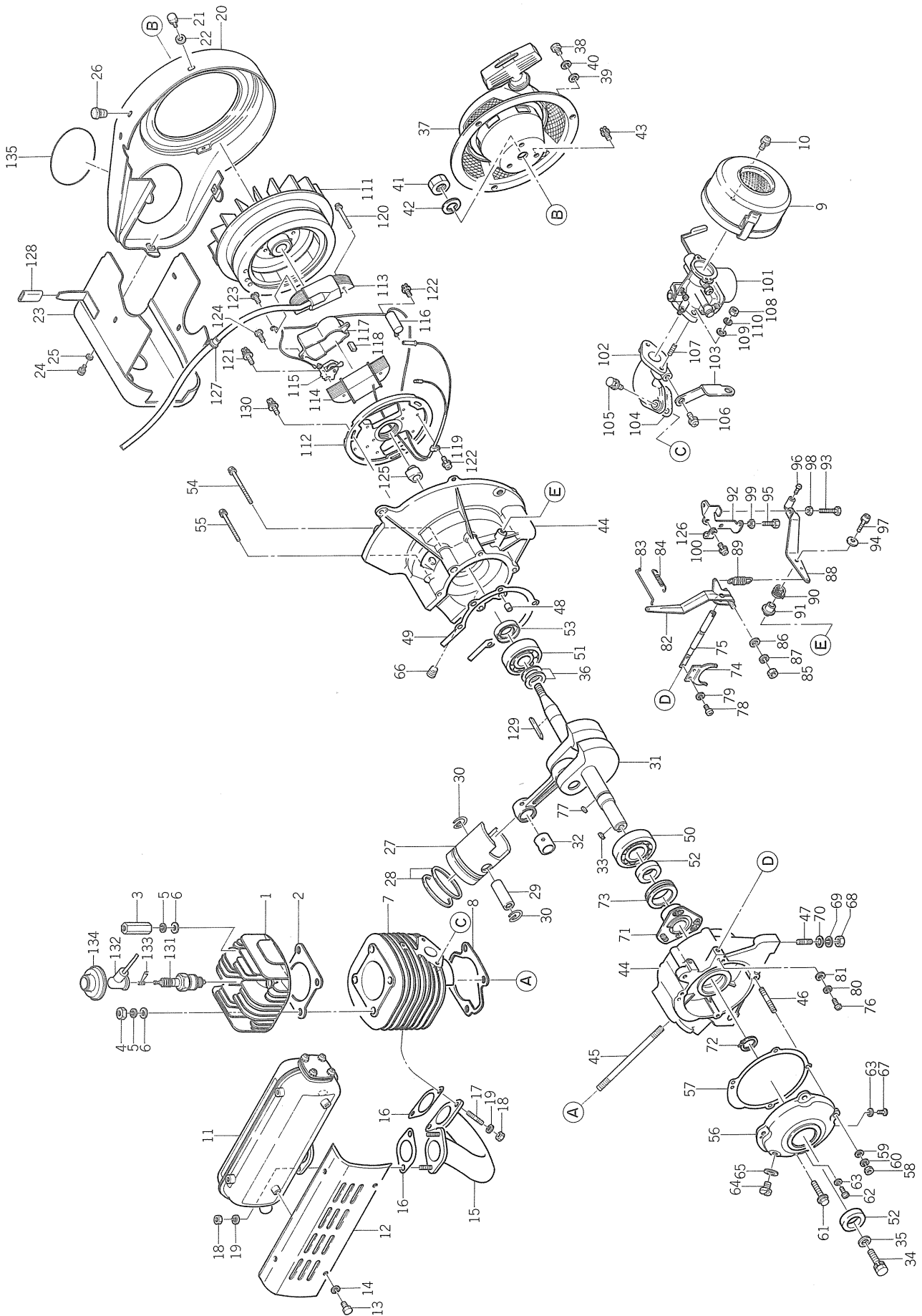
** Marked parts in the column remarks, are not always in stock, requiring considerable time for their delivery.*

NOTA)

** Les pièces marquées dans la colonne des remarques, ne sont pas toujours disponibles en stock, et demandent beaucoup de temps avant de pouvoir être livrées.*

MOTEUR POUR MOTOCULTEUR KC 350 F 2E

Fig. E-1 ENGINE (KT350 312291C)
Moteur



Ref. No. Réf. No.	Part No. Pièces No.	Description Désignation	Q'ty Quant.	Remarks Remarques	
1	5122-001-1110-0	HEAD, CYL. Culasse	1	312200-1111-00	
2	5122-001-1210-0	GASKET, HEAD Joint de culasse	1	312200-1121-00	
3	5122-001-1830-0	NUT, LONG Ecrou colonne	2	312200-1183-00	
4	5311-B08-00AX-X	NUT/M8 Ecrou	2	311B0800A	
5	5461-F08-00XX-X	WASHER, SP/M8 Rondelle frein	4	461F0800	
6	5410-B08-00XX-X	WASHER, PL/M8 Rondelle	4	410B0800	
7	5122-001-211A-X	CYLINDER Cylindre	1	312200-1211A	
8	5122-001-2210-0	GASKET Joint	1	312200-1221-00	
9	5122-911-310A-X	AIR CLEANER ASSY Filtre a air complet	1	312291-1310A	See Fig. A-1 Voir Fig. A-1
10	5232-B05-10AX-X	SCREW/M5×12 Vis	2	232B0510A	
11	5122-901-400A-X	MUFFLER ASSY Silencieux complet	1	312290-1400A	
12	5122-901-4310-0	•COVER, MUFFLER Protecteur de silencieux	1	312290-1431-00	
13	5112-B06-08XX-X	•BOLT/M6×8 Vis	4	112B0608	
14	5461-F06-00AX-X	•WASHER, SP/M6 Rondelle frein	4	461F0600A	
15	5122-901-4410-0	PIPE, EXHAUST Tubulure d'echappement	1	312290-1441-00	
16	5122-001-4430-0	GASKET Joint	2	312200-1443-00	
17	5171-G06-16XX-X	STUD Goujon	2	171G0616	
18	5311-M06-00XX-X	NUT/M6 Ecrou	4	311M0600	
19	5461-F06-00AX-X	WASHER, SP/M6 Rondelle frein	4	461F0600A	
20	5122-911-6110-3	CASE, SPIRAL Carenage de volute	1	312291-1611-03	
21	5180-B06-10XX-X	BOLT/M6×10 Vis	4	180B0610	
22	5410-B06-00XX-X	WASHER, PL/M6 Rondelle	4	410B0600	
23	5122-911-6320-2	COVER, CYL. Couvre culasse	1	312291-1632-02	
24	5232-B05-08AX-X	SCREW/M5×8 Vis	4	232B0508A	
25	5410-B05-00XX-X	WASHER, PL/M5 Rondelle	4	410B0500	
26	5126-931-6710-0	KNOCK, RUBBER Manche gomme	1	312693-1671-00	
27	5122-003-1110-0	PISTON Piston	1	312200-3111-00	
28	5122-003-0100-0	PISTON RING SET Segmentation	1	312200-3010-00	
29	5122-003-1210-0	PIN, PISTON Axe de piston	1	312200-3121-00	
30	5122-003-1220-0	RING, SNAP Circlip	2	312200-3122-00	
31	5122-913-210A-X	CRANK SHAFT ASSY Embiellage complet	1	312291-3210A	
32	5122-003-2420-0	•BUSH, SMALL Coussinet	1	312200-3242-00	
33	5511-A05-20XX-X	KEY Clavette parallele	1	511A0520	
34	5180-B08-30XX-X	BOLT/M8×30 Vis	1	180B0830	
35	5142-922-3830-0	WASHER Rondelle	1	314292-2383-00	
36	5131-553-5340-0	SHIM/t=0.2 Rondelle d'epaisseur	AR	313155-3534-00	
	5131-553-5350-0	SHIM/t=0.4 Rondelle d'epaisseur	AR	313155-3535-00	
	5131-553-5360-0	SHIM/t=0.6 Rondelle d'epaisseur	AR	313155-3536-00	
	5131-553-5370-0	SHIM/t=0.8 Rondelle d'epaisseur	AR	313155-3537-00	

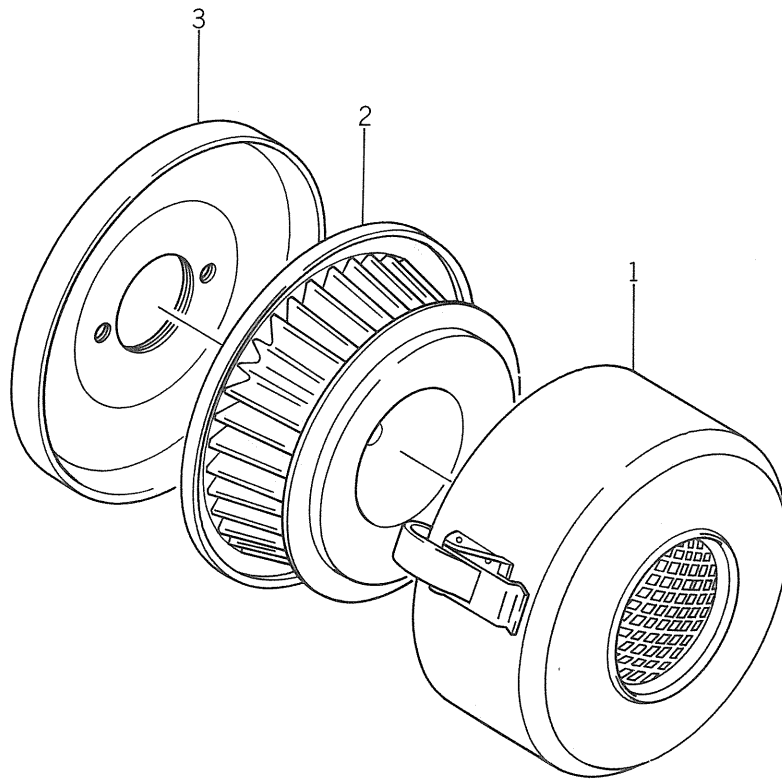
Ref. No. Réf. No.	Part No. Pièces No.	Description Désignation	Q'ty Quant.	Remarks Remarques
36	5131-553-5380-0	SHIM/t=1.0 Rondelle d'épaisseur	AR	313155-3538-00
37	5122-923-430A-X	RECOIL STARTER ASSY Lanceur complet	1	312292-3430A See Fig. R-1 Voir Fig. R-1
38	5110-B06-08XX-X	BOLT/M6×8 Vis	3	110B0608
39	5410-B06-00XX-X	WASHER, PL/M6 Rondelle	3	410B0600
40	5117-523-381A-X	WASHER, SP/M6 Rondelle frein	3	311752-3381A
41	5122-003-3220-0	NUT Ecrou	1	312200-3322-00
42	5461-F12-00AX-X	WASHER, SP/M12 Rondelle frein	1	461F1200A
43	5232-B06-10XX-X	SCREW/M6×10 Vis	1	232B0610
44	5122-004-1101-1	CRANK CASE ASSY Carter moteur complet	1	312200-4110-11
45	5122-911-225A-X	•STUD Goujon	4	312291-1225A
46	5122-004-1710-0	•STUD Goujon	2	312200-4171-00
47	5172-G08-18XX-X	•STUD Goujon	4	172G0818
48	5552-A10-12XX-X	•PIN, DOWEL Goupille elastique	2	552A1012
49	5122-004-1130-0	GASKET Joint	1	312200-4113-00
50	5122-004-2110-0	BEARING, RB/6304 Roulement	1	312200-4211-00
51	5122-004-2120-0	BEARING, RB/6303 Roulement	1	312200-4212-00
52	5122-004-2310-0	SEAL, OIL Bague d'étancheite	2	312200-4231-00
53	5122-004-2320-0	SEAL, OIL Bague d'étancheite	1	312200-4232-00
54	5234-B06-60XX-X	SCREW/M6×60 Vis	2	234B0660
55	5234-B06-50XX-X	SCREW/M6×50 Vis	4	234B0650
56	5122-005-101B-X	COVER, CRANK CASE Flasque gauche	1	312200-5101B
57	5122-005-1070-0	GASKET Joint de flasque	1	312200-5107-00
58	5311-B06-00XX-X	NUT/M6 Ecrou	2	311B0600
59	5410-B06-00XX-X	WASHER, PL/M6 Rondelle	2	410B0600
60	5461-F06-00AX-X	WASHER, SP/M6 Rondelle frein	2	461F0600A
61	5187-B06-20XX-X	BOLT/M6×20 Vis	2	187B0620
62	5214-B05-06XX-X	SCREW/M5×6 Vis	1	214B0506
63	5122-007-4150-2	GASKET Joint	2	312200-7415-02
64	5122-917-431A-X	PLUG Vis d'orifice de remplissage	1	312291-7431A
65	5141-547-4320-0	GASKET Rondelle	1	314154-7432-00
66	5122-007-4410-0	PLUG, DRAIN Bouchon de vidange	1	312200-7441-00
67	5214-B05-06XX-X	SCREW/M5×6 Vis	1	214B0506
68	5311-B08-00AX-X	NUT/M8 Ecrou	4	311B0800A
69	5461-F08-00XX-X	WASHER, SP/M8 Rondelle frein	4	461F0800
70	5410-B08-00XX-X	WASHER, PL/M8 Rondelle	4	410B0800
71	5122-005-1100-0	GOVERNOR ASSY Masse d'inertie de regulateur	1	312200-5110-00
72	5480-J20-00XX-X	RING, SNAP Collet d'axe	1	480J2000
73	5122-005-1210-0	SLEEVE, GOVERNOR Butée de regulateur	1	312200-5121-00
74	5122-005-1220-0	TIP, GOVERNOR Palpeur de regulateur	1	312200-5122-00

Ref. No. Réf. No.	Part No. Pièces No.	Description Désignation	Q'ty Quant.	Remarks Remarques
75	5122-005-1230-6	SHAFT, GOVERNOR Axe de regulateur	1	312200-5123-06
76	5126-715-1240-0	SCREW Vis	1	312671-5124-00
77	5122-005-1810-0	KEY Clavette	1	312200-5181-00
78	5214-B03-06XX-X	SCREW/M3x6 Vis	2	214B0306
79	5461-F03-00XX-X	WASHER, SP/M3 Rondelle frein	2	461F0300
80	5461-F04-00XX-X	WASHER, SP/M4 Rondelle frein	1	461F0400
81	5410-B04-00XX-X	WASHER, PL/M4 Rondelle	1	410B0400
82	5122-915-211A-X	ARM, GOVERNOR Bras de regulateur	1	312291-5211A
83	5122-005-2310-0	LINK, GOVERNOR Timonerie de regulateur	1	312200-5231-00
84	5122-005-2320-0	SPRING, LINK Ressort de timonerie	1	312200-5232-00
85	5311-B06-00XX-X	NUT/M6 Erou	1	311B0600
86	5411-B06-00XX-X	WASHER, PL/M6 Rondelle	1	411B0600
87	5461-F06-00AX-X	WASHER, SP/M6 Rondelle frein	1	461F0600A
88	5122-005-3100-0	CONTROL LEVER ASSY Levier de regulateur	1	312200-5310-00
89	5122-005-3140-0	SPRING, GOVERNOR Ressort de regulateur	1	312200-5314-00
90	5122-005-3170-0	SPRING, RETURN Ressort de rappel	1	312200-5317-00
91	5122-005-3190-0	COLLAR Coussinet de pivot	1	312200-5319-00
92	5122-005-3350-0	BRACKET Support d'articulation	1	312200-5335-00
93	5122-005-3810-0	BOLT, STOP Vis de butee	1	312200-5381-00
94	5117-023-5910-0	WASHER Rondelle	1	311702-3591-00
95	5112-B06-16XX-X	BOLT/M6x16 Vis	1	112B0616
96	5214-B05-08AX-X	SCREW/M5x8 Vis	1	214B0508A
97	5232-B06-22XX-X	SCREW/M6x22 Vis	1	232B0622
98	5311-B06-00XX-X	NUT/M6 Erou	1	311B0600
99	5312-B06-00XX-X	NUT/M6 Erou	1	312B0600
100	5232-B06-10XX-X	SCREW/M6x10 Vis	2	232B0610
101	5122-916-100A-X	CARBURETOR ASSY Carburateur complet	1	312291-6100A
102	5122-916-182A-X	PIPE, INLET Collecteur d'admission	1	312291-6182A
103	5122-916-183A-X	BRACKET Support	1	312291-6183A
104	5121-226-1860-0	GASKET Joint	1	312122-6186-00
105	5187-B06-20XX-X	BOLT/M6x20 Vis	2	187B0620
106	5232-B06-10XX-X	SCREW/M6x10 Vis	2	232B0610
107	5172-G06-16XX-X	STUD Goujon	2	172G0616
108	5312-B06-00XX-X	NUT/M6 Erou	2	312B0600
109	5410-B06-00XX-X	WASHER, PL/M6 Rondelle	2	410B0600
110	5461-F06-00AX-X	WASHER, SP/M6 Rondelle frein	2	461F0600A
111	5122-908-1110-0	FLYWHEEL Volant d'inertie	1	312290-8111-00
112	5122-908-1200-0	BASE ASSY Plateau d'induction complet	1	312290-8120-00
113	5122-908-1230-0	COIL, IGNITION Bobine d'allum.	1	312290-8123-00

See Fig. C-1
Voir Fig. C-1

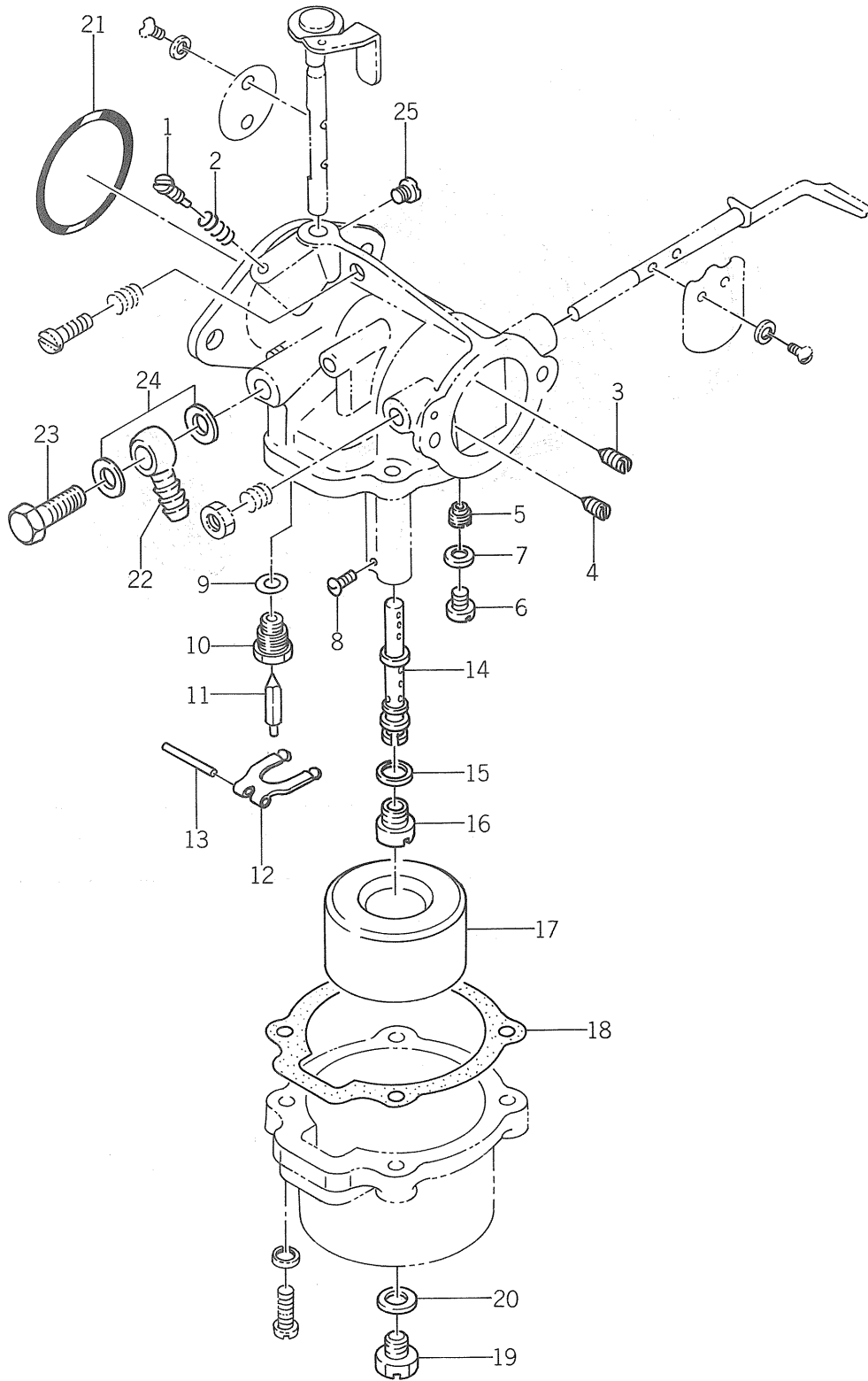
Ref. No. Réf. No.	Part No. Pièces No.	Description Désignation	Q'ty Quant.	Remarks Remarques
114	5122-908-1240-0	•COIL, LIGHTING Bobine d'éclairage	1	312290-8124-00
115	5122-908-4400-0	•BREAKER Rupteur	1	312290-8440-00
116	5122-908-4360-0	•CONDENSER Condensateur	1	312290-8436-00
117	5122-908-4390-0	•COVER, BREAKER Couvercle de rupteur	1	312290-8439-00
118	5122-908-4510-0	•FELT, CAM Feutre	1	312290-8451-00
119	5122-908-1380-0	•CLAMP Collier	1	312290-8138-00
120	5232-B05-25XX-X	•SCREW/M5×25 Vis	4	232B0525
121	5234-B04-12XX-X	•SCREW/M4×12 Vis	1	234B0412
122	5232-B04-08XX-X	•SCREW/M4×8 Vis	2	232B0408
123	5214-B03-06XX-X	•SCREW/M3×6 Vis	1	214B0306
124	5214-B04-10AX-X	•SCREW/M4×10 Vis	2	214B0410A
125	5122-908-1130-0	CAM, MAGNETO Came	1	312290-8113-00
126	5151-928-1610-0	CLAMP Collier	1	315192-8161-00
127	5122-908-1640-0	GROMMET Passe-fil	1	312290-8164-00
128	5173-708-1670-0	TUBE Tuyau	1	317370-8167-00
129	5134-103-3240-0	KEY Clavette	1	313410-3324-00
130	5234-B05-14AX-X	SCREW/M5×14 Vis	3	234B0514A
131	5122-008-4100-0	PLUG, SPARK/NGK B6HS Bougie d'allumage	1	312200-8410-00
132	5172-708-418A-X	CAP, PLUG Contacteur de bougie	1	317270-8418A
133	5172-708-419A-X	SPRING Frein	1	317270-8419A
134	5134-818-4130-0	COVER, CAP Capuchon de bougie	1	313481-8413-00
135	5122-910-8110-0	LABEL, MARK Plaque de marque	1	312291-0811-00 ※
		ACCESSORY Accessoire		
	5122-910-9000-1	TOOL ASSY Outillage complet	1	312291-0900-01 ※
	5136-860-9330-0	•WRENCH, SOCKET/13×21 Cle a tube	1	313686-0933-00 ✧
	5151-200-9450-0	•BAR Barre	1	315120-0945-00 ✧
	5135-500-9510-0	•SCREWDRIVER Tournevis	1	313550-0951-00 ✧
	5112-200-9720-0	•GAUGE, THICKNESS Jauge d'épaisseur	1	311220-0972-00 ✧

Fig. A-1 AIR CLEANER
Filtre a air



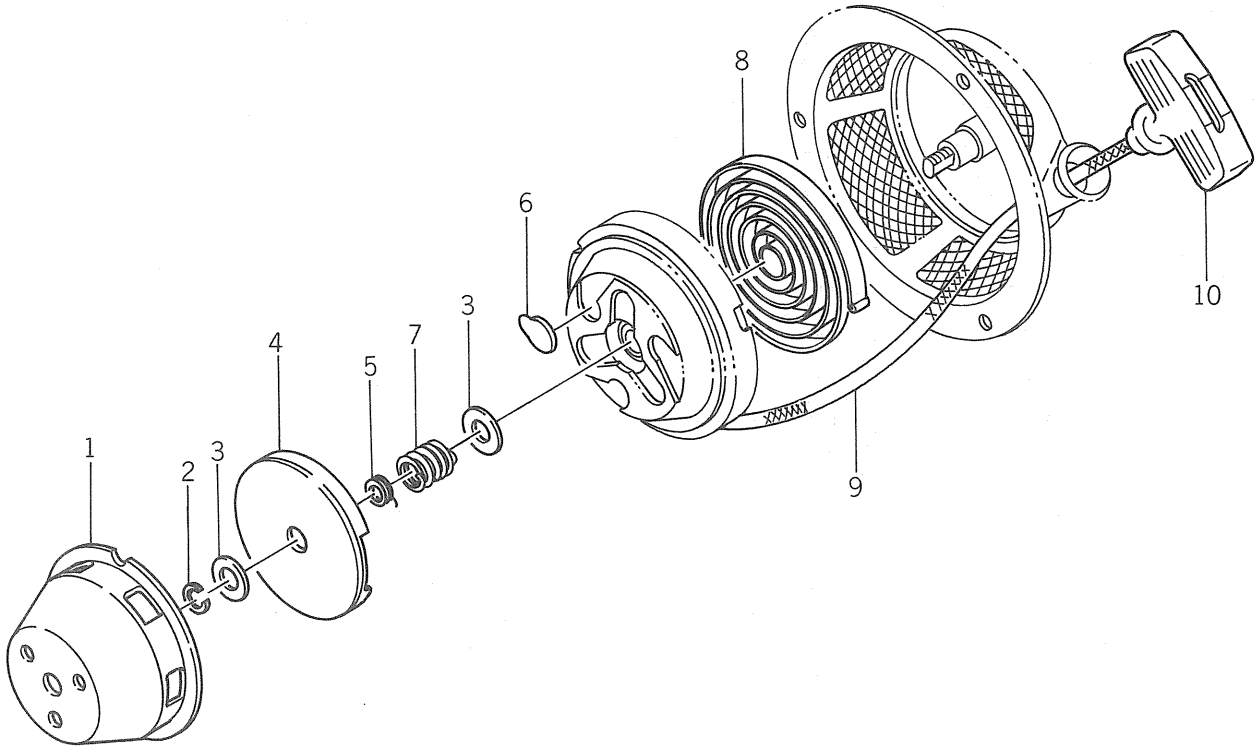
Ref. No. Réf. No.	Part No. Pièces No.	Description Désignation	Q'ty Quant.	Remarks Remarques
	5122-911-310A-X	AIR CLEANER ASSY Filtre a air complet	1	312291-1310A
A-1- 1	5126-YA1-316A-X	•CASE, AIR CLEANER Cloche de filtre	1	3126YA-1316A
A-1- 2	5126-901-3120-0	•ELEMENT Cartouch filtrante	1	312690-1312-00
A-1- 3	5126-YA1-311A-X	•PLATE, AIR CLEANER Embase de filtre	1	3126YA-1311A

Fig. C-1 CARBURETOR
Carburateur



Ref. No. Réf. No.	Part No. Pièces No.	Description Désignation	Q'ty Quant.	Remarks Remarques
	5122-916-100A-X	CARBURETOR ASSY	1	312291-6100A
C-1- 1	5126-516-1140-0	Carburateur complet	1	312651-6114-00
C-1- 2	5124-016-1160-0	•SCREW, ADJUST Vis de richesse	1	312401-6116-00
C-1- 3	5126-516-1120-0	•SPRING Ressort	1	312651-6112-00
C-1- 4	5122-916-113A-X	•JET, PILOT/#2.0 Buse, pilote	1	312291-6113A
C-1- 5	5122-106-1511-0	•JET, AIR/#1.2 Gicleur de comburant	1	312210-6151-10
C-1- 6	5124-376-1171-0	•JET, AIR/#0.6 Gicleur de comburant	1	312437-6117-10
C-1- 7	5113-906-1490-0	•SCREW Vis	1	311390-6149-00
C-1- 8	5113-906-1370-0	•GASKET Rondelle	1	311390-6137-00
C-1- 9	5113-906-1190-0	•SCREW Vis	1	311390-6119-00
C-1-10	5122-106-120A-X	•GASKET Rondelle	1	312210-6120A
C-1-11	5124-016-1220-0	•NEEDLE VALVE ASSY Siege de pointeau	1	312401-6122-00
C-1-12	5124-016-1780-0	•VALVE, NEEDLE Pointeau	1	312401-6178-00
C-1-13	5113-906-1270-0	•HINGE, FLOAT Pivot de flotteur	1	311390-6127-00
C-1-14	5124-016-1290-0	•PIN, HINGE Axe de pivot de flotteur	1	312401-6129-00
C-1-15	5111-206-1190-0	•NOZZLE, MAIN Buse	1	311120-6119-00
C-1-16	5126-516-1320-0	•GASKET Rondelle	1	312651-6132-00
C-1-17	5124-016-1260-0	•JET, MAIN/#82 Gicleur principal	1	312401-6126-00
C-1-18	5124-016-1280-0	•FLOAT Flotteur	1	312401-6128-00
C-1-19	5126-516-1331-0	•GASKET Joint de cuve	1	312651-6133-10
C-1-20	5113-906-1180-0	•SCREW, DRAIN Vis de purge	1	311390-6118-00
C-1-21	5134-396-1590-0	•GASKET Rondelle	1	313439-6159-00
C-1-22	5122-106-1360-0	•GASKET Joint torique	1	312210-6136-00
C-1-23	5122-106-1350-0	•BANJO Raccord banjo	1	312210-6135-00
C-1-24	5122-106-1180-0	•BOLT, BANJO Vis de raccord banjo	1	312210-6118-00
C-1-25	5124-376-1141-0	•GASKET Joint	2	312437-6114-10
		•SCREW, GUIDE Vis a teton	1	

Fig. R-1 RECOIL STARTER
Lanceur



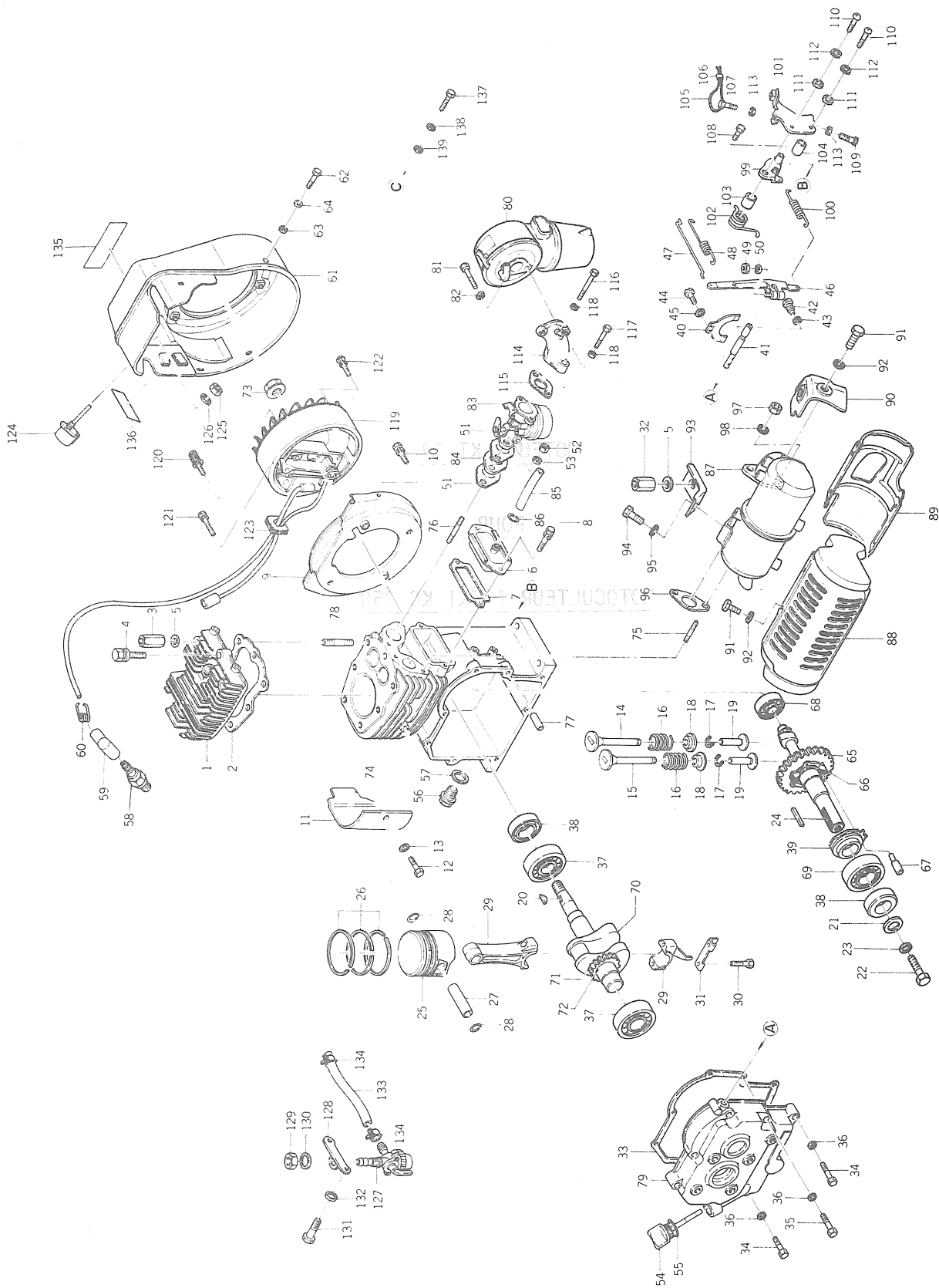
Ref. No. Réf. No.	Part No. Pièces No.	Description Désignation	Q'ty Quant.	Remarks Remarques
	5122-923-430A-X	RECOIL STARTER ASSY Lanceur complet	1	312292-3430A
R-1- 1	5122-923-432A-X	•PULLEY Poulie de lancement	1	312292-3432A
R-1- 2	5127-013-4510-0	•E-RING Anneau extensible	1	312701-3451-00
R-1- 3	5134-313-4420-0	•WASHER Rondelle	2	313431-3442-00
R-1- 4	5134-313-4490-0	•COVER, RETAINER Protecteur	1	313431-3449-00
R-1- 5	5134-313-4480-0	•SPRING, RETURN Ressort de rappel	1	313431-3448-00
R-1- 6	5134-313-4450-0	•PAWL, RECOIL Cliquet	3	313431-3445-00
R-1- 7	5134-313-4460-0	•SPRING Ressort	1	313431-3446-00
R-1- 8	5142-003-4520-0	•SPRING, RECOIL Ressort spirale	1	314200-3452-00
R-1- 9	5136-013-4530-0	•ROPE/5×1350 Anneau extensible	1	313601-3453-00
R-1-10	5122-113-4540-0	•HANDLE, RECOIL STARTER Poignée	1	312211-3454-00

MOTEUR KT 345

POUR

MOTOCULTEUR ISEKI KC 350 F

Fig. 1 ENGINE
Moteur



Ref No. Réf N°.	Parts No. Pièces N°.	Description Désignation	Model & Qty Modèle & Quant	Remarks Remarques
1- 1	5136-501-1110-5	HEAD, CYL Culasse	1	313650-1111-05
1- 2	5136-501-1210-0	GASKET, HEAD Joint	1	313650-1121-00
1- 3	5151-821-1830-0	NUT, LONG Ecrou colonne	1	315182-1183-00
1- 4	5136-501-1810-0	BOLT/M8×35 Vis	5	313650-1181-00
1- 5	5410-B08-00XX-X	WASHER Rondelle	2	410B0800
1- 6	5136-501-2310-8	COVER, INSPECTION Porte de visite	1	313650-1231-08
1- 7	5136-501-2320-0	GASKET Joint de porte	1	313650-1232-00
1- 8	5150-B06-12XX-X	BOLT/M6×12 Vis	2	150B0612
1- 9	5136-981-6120-3	CASE, SPIRAL Flasque de volant	1	313698-1612-03
1-10	5150-B06-14XX-X	BOLT/M6×14 Vis	4	150B0614
1-11	5136-981-6320-0	COVER, CYL Couvre culasse	1	313698-1632-00
1-12	5110-B06-12XX-X	BOLT/M6×12 Vis	1	110B0612
1-13	5461-F06-00AX-X	WASHER, SP/M6 Rondelle frein	1	461F0600A
1-14	5136-502-1110-0	VALVE Soupape ADM.	1	313650-2111-00
1-15	5136-502-1120-0	VALVE, EXH Soupape ECH.	1	313650-2112-00
1-16	5132-522-1130-0	SPRING Ressort	2	313252-2113-00
1-17	5136-502-1150-0	COLLET Collet	2	313650-2115-00
1-18	5136-502-1160-0	SEAT Cuvette	2	313650-2116-00
1-19	5136-502-2110-0	TAPPET Poussoir	2	313650-2211-00
1-20	5136-502-3710-0	KEY Clavette	1	313650-2371-00
1-21	5132-522-3830-0	WASHER Rondelle	1	313252-2383-00
1-22	5110-B08-25AX-X	BOLT/M8×25 Vis	1	110B0825A
1-23	5461-F08-00XX-X	WASHER, SP/M8 Rondelle frein	1	461F0800
1-24	5511-A05-20XX-X	KEY Clavette	1	511A0520
1-25	5136-503-1110-0	PISTON Piston	1	313650-3111-00
1-26	5136-503-0100-0	RING, PISTON Segmentation	1	313650-3010-00
1-27	5136-503-1210-0	PIN, PISTON Axe de piston	1	313650-3121-00
1-28	5136-503-1220-0	RING, SNAP Collet d'axe	2	313650-3122-00
1-29	5136-503-2400-8	ROD, CONN ASSY Bielle	1	313650-3240-08
1-30	5135-503-2450-0	BOLT Vis	2	313550-3245-00
1-31	5136-503-2480-1	WASHER, LOCK Rondelle	1	313650-3248-01
1-32	5135-921-1830-0	NUT Ecrou	1	313592-1183-00
1-33	5136-504-1240-0	GASKET Joint	1	313650-4124-00
1-34	5110-B06-34AX-X	BOLT/M6×34 Vis	6	110B0634A
1-35	5110-B06-42XX-X	BOLT/M6×42 Vis	2	110B0642
1-36	5461-F06-00AX-X	WASHER, SP/M6 Rondelle frein	8	461F0600A
1-37	5601-A62-04XX-X	BEARING, RB/6204 Roulement	2	601A6204
1-38	5136-504-2310-0	OIL SEAL Bague d'étancheité	2	313650-4231-00

Ref No. Réf N°.	Parts No. Pièces N°.	Description Désignation	Model & Q'ty Modél & Quant	Remarks Remarques
1-39	5136-505-1210-1	SLEEVE, GOVERNOR Manchon	1	313650-5121-01
1-40	5136-505-1220-1	TIP, GOVERNOR Doigt	1	313650-5122-01
1-41	5136-505-1230-0	SHAFT, GOVERNOR Axe	1	313650-5123-00
1-42	5162-905-1240-2	SCREW, STOP Vis	1	316290-5124-02
1-43	5151-921-2330-0	GASKET Joint	1	315192-1233-00
1-44	5211-B04-06AX-X	SCREW/M4×6 Vis	2	211B0406A
1-45	5461-F04-00AX-X	WASHER, SP/M4 Rondelle frein	2	461F0400A
1-46	5136-505-2110-0	ARM, GOVERNOR Bras	1	313650-5211-00
1-47	5136-505-2310-0	LINK, GOVERNOR Biellette	1	313650-5231-00
1-48	5136-505-2320-0	SPRING, LINK Ressort	1	313650-5232-00
1-49	5310-B06-00XX-X	NUT/M6 Ecrou	1	310B0600
1-50	5461-F06-00AX-X	WASHER, SP/M6 Rondelle frein	1	461F0600A
1-51	5136-506-1840-0	GASKET Joint	2	313650-6184-00
1-52	5312-B06-00XX-X	NUT/M6 Ecrou	2	312B0600
1-53	5461-F06-00AX-X	WASHER, SP/M6 Rondelle frein	2	461F0600A
1-54	5136-507-4110-0	GAUGE, OIL Jauge	1	313650-7411-00
1-55	5151-927-4320-0	O-RING Joint torique	1	315192-7432-00
1-56	5182-947-4410-0	PLUG, DRAIN Bouchon	1	318294-7441-00
1-57	5312-017-2140-0	GASKET Joint	1	331201-7214-00
1-58	5123-018-4100-6	PLUG, SPARK Bougie	1	312301-8410-06
1-59	5135-508-4180-0	CAP, PLUG Capuchon	1	313550-8418-00
1-60	5188-638-4190-0	SPRING Ressort	1	318863-8419-00
1-61	5136-351-6110-0	CASE, SPIRAL Volute	1	313635-1611-00
1-62	5110-B06-10XX-X	BOLT/M6×10 Vis	3	110B0610
1-63	5410-B06-00XX-X	WASHER/M10 Rondelle	3	410B0600
1-64	5461-F06-00AX-X	WASHER, SP/M6 Rondelle frein	3	461F0600A
1-65	5136-902-3100-3	CAMSHAFT ASSY A-C	1	313690-2310-03
1-66	5136-505-1100-0	GOVERNOR ASSY Regulateur	1	313650-5110-00
1-67	5136-505-1150-0	PIN, GUIDE Palpeur	1	313650-5115-00
1-68	5601-A62-02XX-X	BEARING, RB/6202 Roulement	1	601A6202
1-69	5601-A62-04XX-X	BEARING, RB/6204 Roulement	1	601A6204
1-70	5136-503-2100-4	CRANKSHAFT ASSY Vilebrequin	1	313650-3210-04
1-71	5136-503-2170-4	GEAR, CRANK Pignon	1	313650-3217-04
1-72	5136-502-3710-0	KEY Clavette	1	313650-2371-00
1-73	5132-523-4810-0	NUT Ecrou	1	313252-3481-00
1-74	5136-504-1101-4	CASE, CRANK Carter	1	313650-4110-14
1-75	5171-B06-16XX-X	STUD/M6×16 Goujon	2	171B0616
1-76	5171-B06-20XX-X	STUD/M6×20 Goujon	2	171B0620

Ref No. Réf N°.	Parts No. Pièces N°.	Description Désignation	Model & Q'ty Modél & Quant	Remarks Remarques	
1-77	5552-A10-12XX-X	·PIN, DOWEL Pion	2	552A1012	
1-78	5136-501-1850-0	·STUD Goujon	2	313650-1185-00	
1-79	5136-504-1210-0	BASE, SIDE Joue de carter	1	313650-4121-00	
1-80	5136-411-3100-0	CLEANER, AIR ASSY Filtre a air	1	313641-1310-00 ENo. 1-113230	See Fig. 3
1-80a	5136-411-3100-3	CLEANER, AIR ASSY Filtre a air	1	313641-1310-03	See Fig. 3
1-81	5110-B05-10AX-X	SCREW/M5×10 Vis	2	110B0510A	
1-82	5461-F05-00AX-X	WASHER, SP/M5 Rondelle frein	2	461F0500A	
1-83	5136-856-1000-0	CARBURETOR ASSY Carburateur	1	313685-6100-00 ENo. 1-113230	See Fig. 2
1-84	5136-506-1810-0	INSULATOR Isolant	1	313650-6181-00	
1-85	5136-506-6710-2	TUBE/VINYL Conduit	1	313650-6671-02 ENo. 1-113230	
1-85a	5700-S07-95XX-X	TUBE/VINYL Conduit	1	700S0795	
1-86	5136-791-5320-0	CLAMP Collier	1	313679-1532-00 ENo. 1-113230	
1-86a	5136-791-5320-0	CLAMP Collier	2	313679-1532-00	
1-87	5136-351-4000-0	MUFFLER ASSY Silencieux	1	313635-1400-00	
1-88	5136-351-4310-0	·COVER, MUFFLER Protecteur	1	313635-1431-00	
1-89	5136-351-4320-0	·COVER, MUFFLER Protecteur	1	313635-1432-00	
1-90	5136-561-4440-0	·COVER Protege pipe	1	313656-1444-00	
1-91	5110-B06-10XX-X	·BOLT/M6×10 Vis	6	110B0610	
1-92	5461-F06-00AX-X	·WASHER, SP/M6 Rondelle frein	6	461F0600A	
1-93	5136-351-4450-0	STAY, MUFFLER Bride	1	313635-1445-00	
1-94	5110-B08-12AX-X	BOLT/M8×12 Vis	1	110B0812A	
1-95	5461-F08-00XX-X	WASHER, SP/M8 Rondelle frein	1	461F0800	
1-96	5136-501-4420-0	GASKET Joint	1	313650-1442-00	
1-97	5310-R06-00XX-X	NUT/M6 Ecrou	2	310R0600	
1-98	5461-F06-00AX-X	WASHER, SP/M6 Rondelle frein	2	461F0600A	
1-99	5136-905-3100-0	LEVER, CONTROL Lever	1	313690-5310-00	
1-100	5136-505-3140-0	SPRING, GOVERNOR Ressort	1	313650-5314-00	
1-101	5136-906-3310-6	PANEL, CONTROL Plaque	1	313690-6331-06	
1-102	5136-905-3170-0	SPRING Ressort	1	313690-5317-00	
1-103	5182-905-3320-0	COLLAR Coussinet	1	318290-5332-00	
1-104	5182-905-3330-0	COLLAR Coussinet	1	318290-5333-00	
1-105	5322-015-3510-0	WIRE Fil	1	332201-5351-00	
1-106	5322-015-3520-0	CLAMP Collier	1	332201-5352-00	
1-107	5136-905-3820-0	BOLT Vis	1	313690-5382-00	
1-108	5110-B05-08AX-X	BOLT/M5×8 Vis	1	110B0508A	
1-109	5110-B06-25XX-X	BOLT/M6×25 Vis	1	110B0625	
1-110	5211-B06-28XX-X	SCREW/M6×28 Vis	2	211B0628	