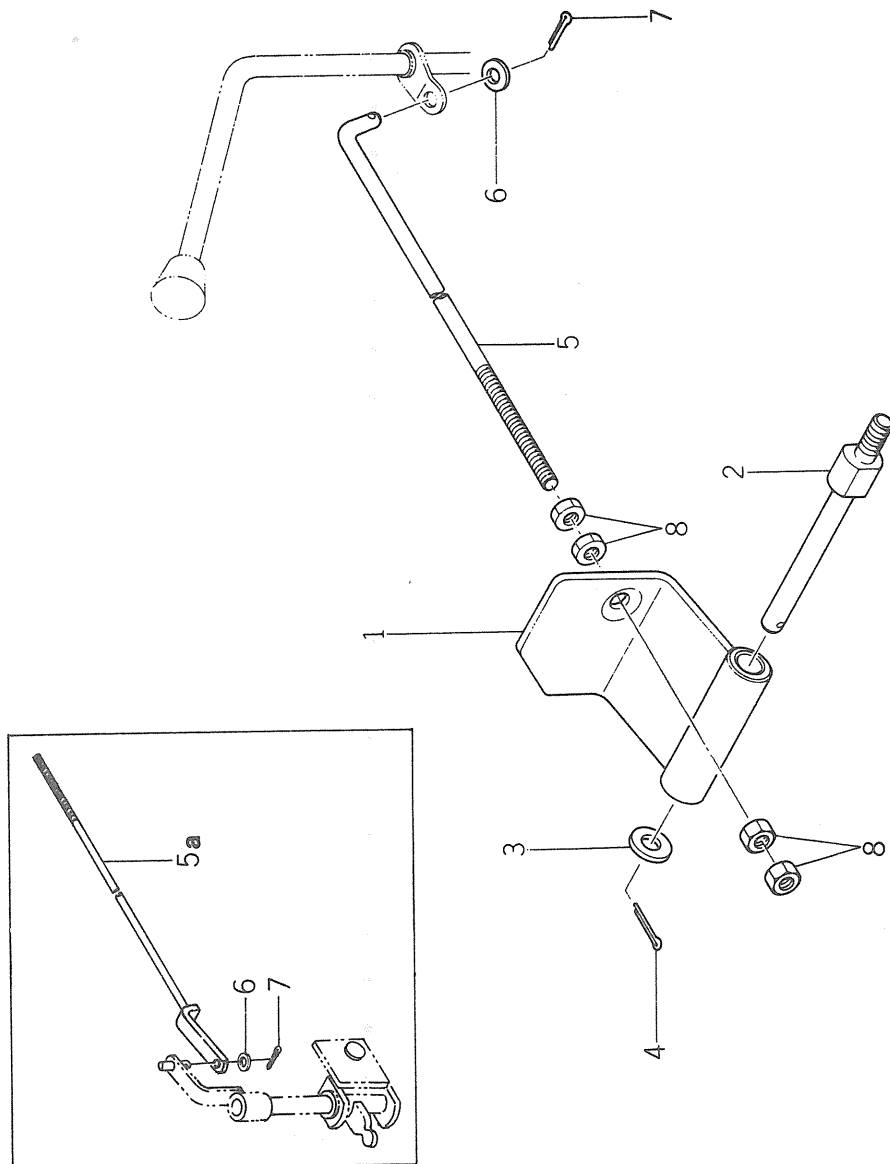


Fig. 21

REAR HITCH SYSTEM  
Mecanisme de securitate

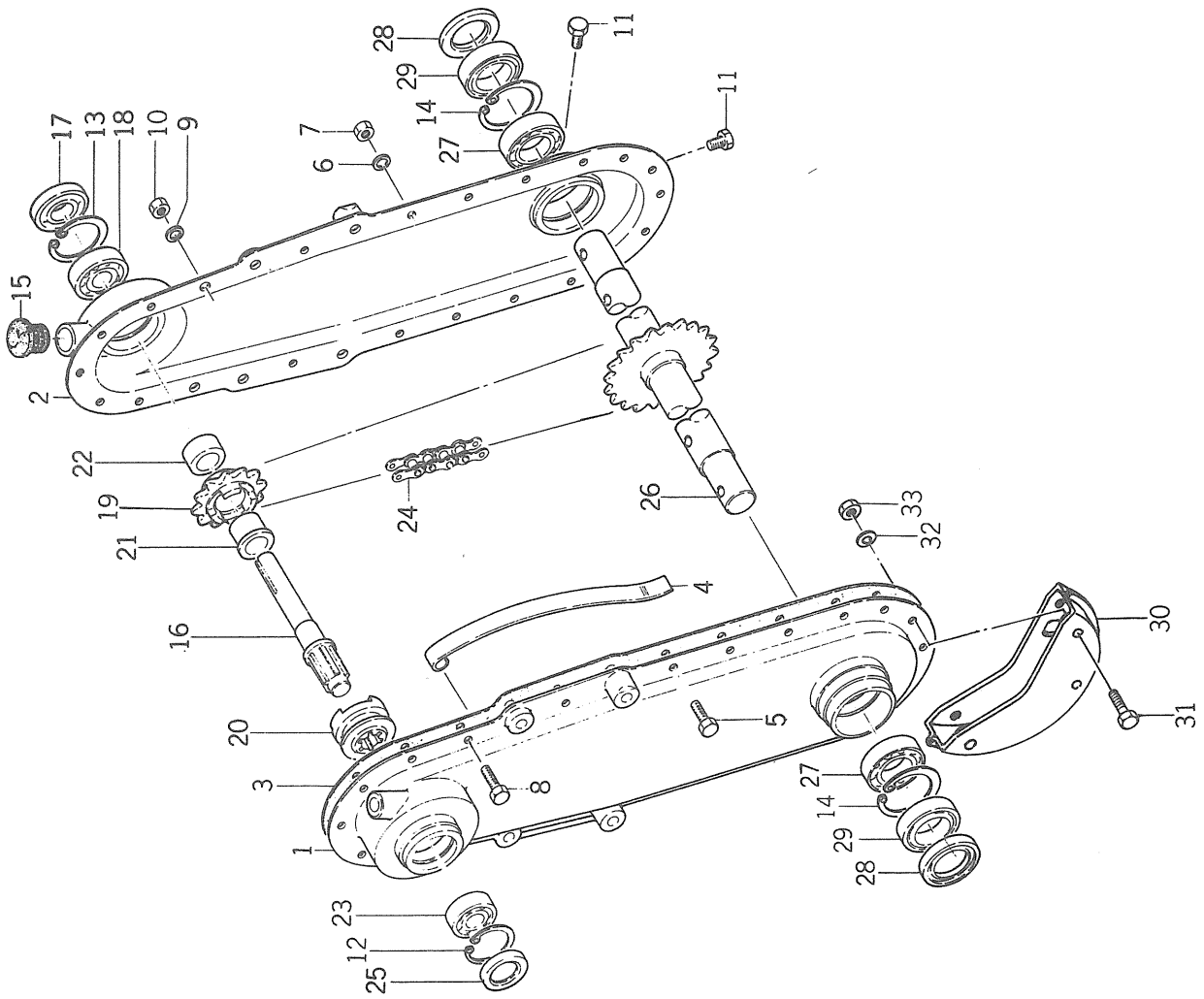


Ref No. Réf N°.	Parts No. Pièces N°.	Description Désignation	Model & Q'ty Modél & Quant		Remarks Remarques
			F40-1	F60-1	
21- 0-1	1364-702-0000-0	DEVICE, BACKPROOF ASSY Mecanisme de securite	1	1	★ Old type
21- 0-1a	1364-702-2001-0	DEVICE, BACKPROOF ASSY Mecanisme de securite	1	1	★ New type
21- 1	1364-702-2000-0	•ARM, BACKPROOF Bras	1	1	★
21- 2	1364-702-0010-0	•PIN, BACKPROOF ARM Axe	1	1	★
21- 3	V41316-001000	•WASHER/M10 Rondelle	1	1	★
21- 4	V50015-250200	•PIN, SPLIT/2.5×20 Goupille fendue	1	1	★
21- 5	1364-702-0020-0	•ROD Biellette	1	1	★
21- 5a	1364-702-2100-0	ROD Biellette	1	1	★
21- 6	V41316-000600	•WASHER/M6 Rondelle	1	1	★
21- 7	V50015-200200	•PIN, SPLIT/2×20 Goupille fendue	1	1	★
21- 8	V30026-000600	•NUT/M6 Ecrou	4	4	★

Fig. 22

ROTARY CHAIN CASE

Transmission de rotobineuse

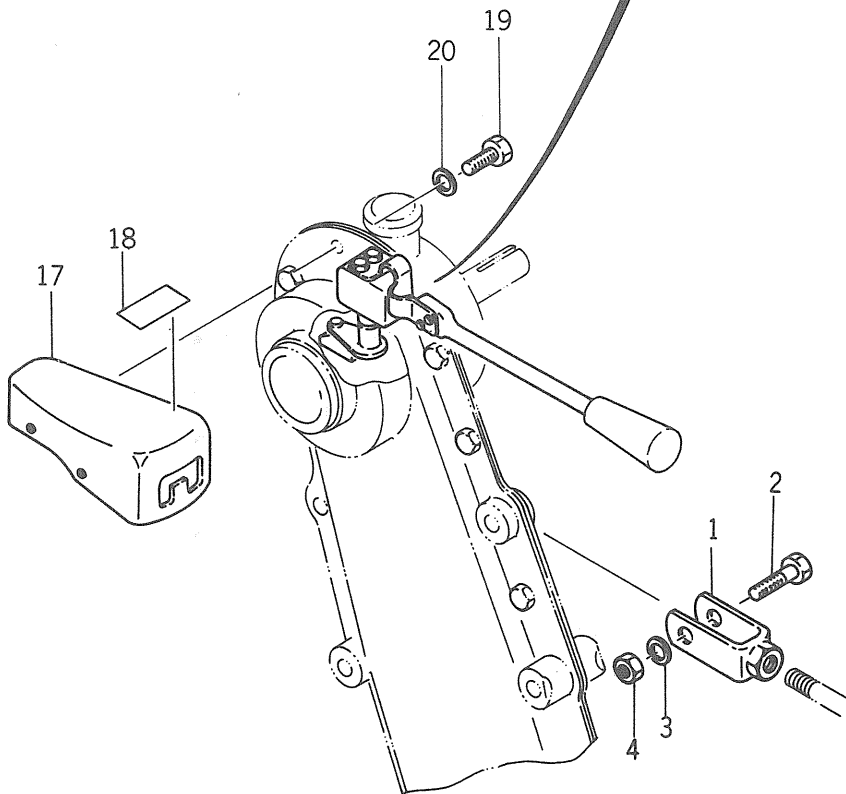
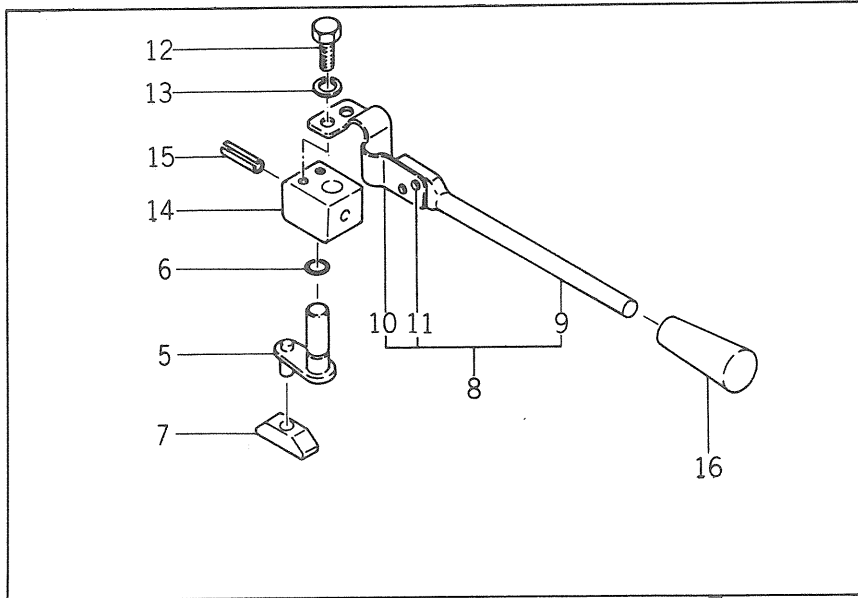


Ref No. Réf N°.	Parts No. Pièces N°.	Description Désignation	Model & Q'ty Modél & Quant		Remarks Remarques
			F40-1	F60-1	
22- 1	1349-706-1000-0	CASE, ROTARY CHAIN LH Carter de chaîne G.	1	1	★
22- 2	1349-706-2000-0	CASE, ROTARY CHAIN RH Carter de chaîne D.	1	1	★
22- 3	1349-706-0010-0	PACKING, ROTARY CHAIN Joint	1	1	★
22- 4	1337-706-0020-0	TENSION, CHAIN Tendeur	1	1	★
22- 5	V20026-060120	BOLT/M6×12 Vis	16	16	★
22- 6	V40116-000600	WASHER, SP/M6 Rondelle frein	16	16	★
22- 7	V30026-000600	NUT/M6 Erou	16	16	★
22- 8	V20126-080160	BOLT/M8×16 Vis	4	4	★
22- 9	V40116-000800	WASHER, SP/M8 Rondelle frein	4	4	★
22-10	V30026-000800	NUT/M8 Erou	4	4	★
22-11	1326-706-0020-0	PLUG, DRAIN Bouchon	2	2	★
22-12	V70514-004000	RING, SNAP/C-40 Collet d'axe	1	1	★
22-13	V70514-004700	RING, SNAP/C-47 Collet d'axe	1	1	★
22-14	V70514-005500	RING, SNAP/C-55 Collet d'axe	2	2	★
22-15	1366-706-0010-0	CAP, OIL/23 Bouchon	1	1	★
22-16	1337-708-0010-0	SHAFT, ROTARY TOP Arbre	1	1	★
22-17	V74012-047070	SEAL, OIL/SC20477 Bague d'étanchéité	1	1	★
22-18	V60011-062040	BEARING, RB/6204 Roulement	1	1	★
22-19	1349-708-0010-0	SPROCKET/12T Pignon	1	1	★
22-20	1337-708-0030-0	CLUTCH, ROTARY Embrayage	1	1	★
22-21	1337-708-0040-0	BUSH, SPROCKET Coussinet	1	1	★
22-22	1337-708-0050-0	COLLAR/21×30×9 Entretoise	1	1	★
22-23	V60011-062030	BEARING, RB/6203 Roulement	1	1	★
22-24	1337-708-0060-0	CHAIN, ROLLER Chaîne	1	1	★
22-25	1337-708-0070-0	COVER, METAL Couvercle	1	1	★
22-26	1349-709-1000-0	SHAFT, ROTARY Arbre de fraises	1	1	★
22-27	V60011-060060	BEARING, RB/6006 Roulement	2	2	★
22-28	V74213-055050	SEAL, OIL/VC30555 Bague d'étanchéité	2	2	★
22-29	V74413-055120	SEAL, OIL/TC305512 Bague d'étanchéité	2	2	★
22-30	1349-706-2100-0	PLATE, GUARD Plaque	1	1	★
22-31	V20046-060300	BOLT/M6×30 9T Vis	3	3	★
22-32	V40116-000600	WASHER, SP/M6 Rondelle frein	3	3	★
22-33	V30026-000600	NUT/M6 Erou	3	3	★

Fig. 23

ROTARY SHIFTER

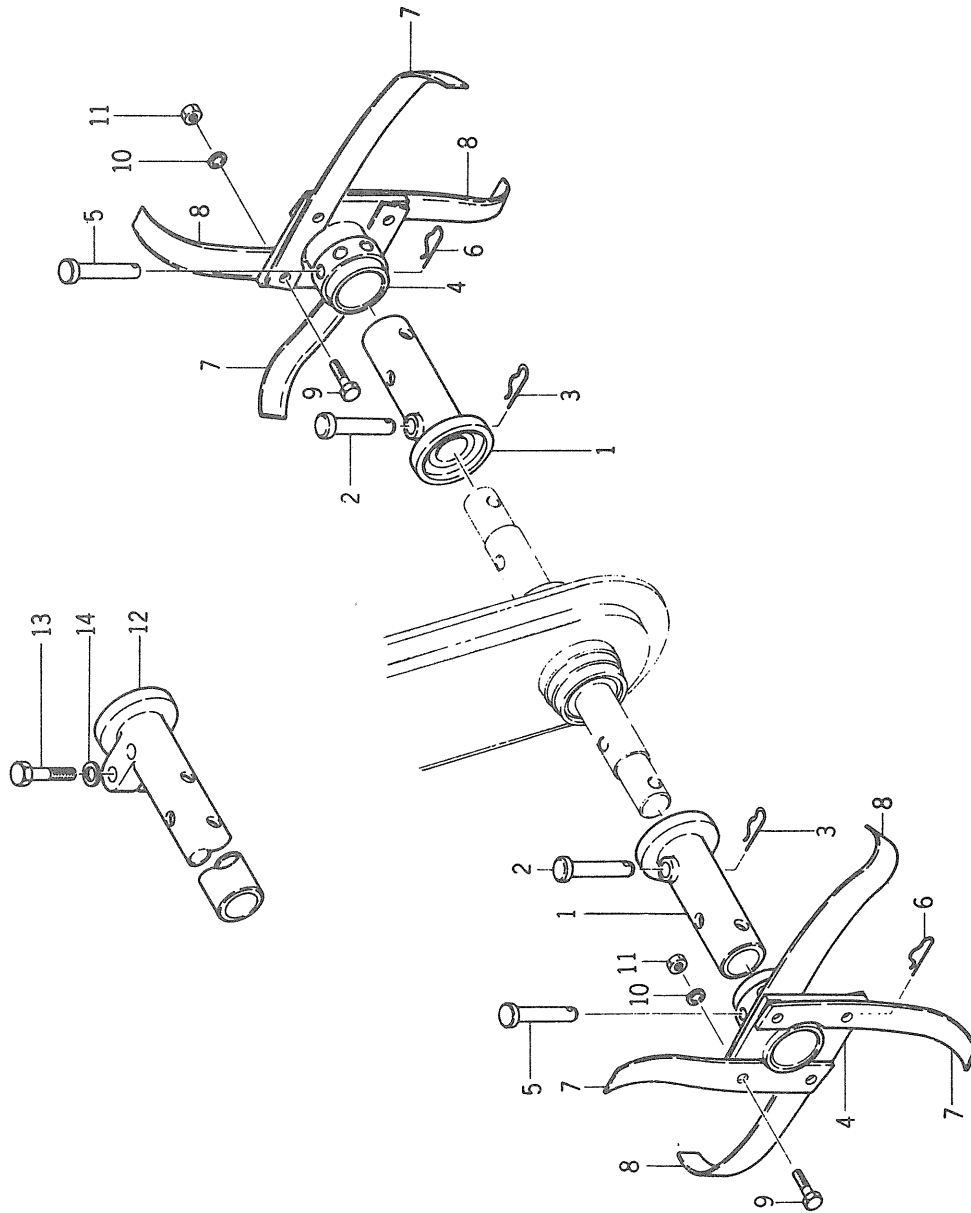
Embrayage de rotobineuse



Ref No. Réf N°.	Parts No. Pièces N°.	Description Désignation	Model & Q'ty Modél & Quant		Remarks Remarques
			F40-1	F60-1	
23- 1	1337-706-3000-0	YOKE Chape	1	1	★
23- 2	V20126-100400	BOLT/M10×40 Vis	1	1	★
23- 3	V40116-001000	WASHER, SP/M10 Rondelle frein	1	1	★
23- 4	V30026-001000	NUT/M10 Ecrou	1	1	★
23- 5	1337-706-4001-0	ROD, SHIFTER Selecteur	1	1	★
23- 6	V72010-190090	O-RING/P9 Joint torique	1	1	★
23- 7	1340-229-0020-0	SHIFTER, SIDE CLUTCH Flotteur	1	1	★
23- 8	1337-706-5002-0	LEVER, CLUTCH ASSY Lever d'embrayage	1	1	★
23- 9	1337-706-5051-0	• LEVER (C) Lever	1	1	★
23-10	1337-706-5060-0	• SPRING, PLATE Ressort	1	1	★
23-11	V29010-300090	• RIVET Rivet	2	2	★
23-12	V20126-060100	BOLT/M6×10 Vis	2	2	★
23-13	V40116-000600	WASHER, SP/M6 Rondelle frein	2	2	★
23-14	1337-706-0030-0	BOSS/25-25 Bossage	1	1	★
23-15	V58014-040250	PIN, SPRING/4×25 Goupille elastique	1	1	★
23-16	4106-105-3030-0	GRIP Poignee	1	1	★
23-17	1352-706-2100-0	GUIDE, CLUTCH Guide de commande	1	1	★
23-18	1349-956-0080-0	MARK, ROTARY CLUTCH Repere	1	1	★
23-19	V20026-060140	BOLT/M6×14 Vis	2	2	★
23-20	V40126-000600	WASHER/M6 Rondelle	2	2	★

Fig. 24

ROTARY PIPE  
Fraise



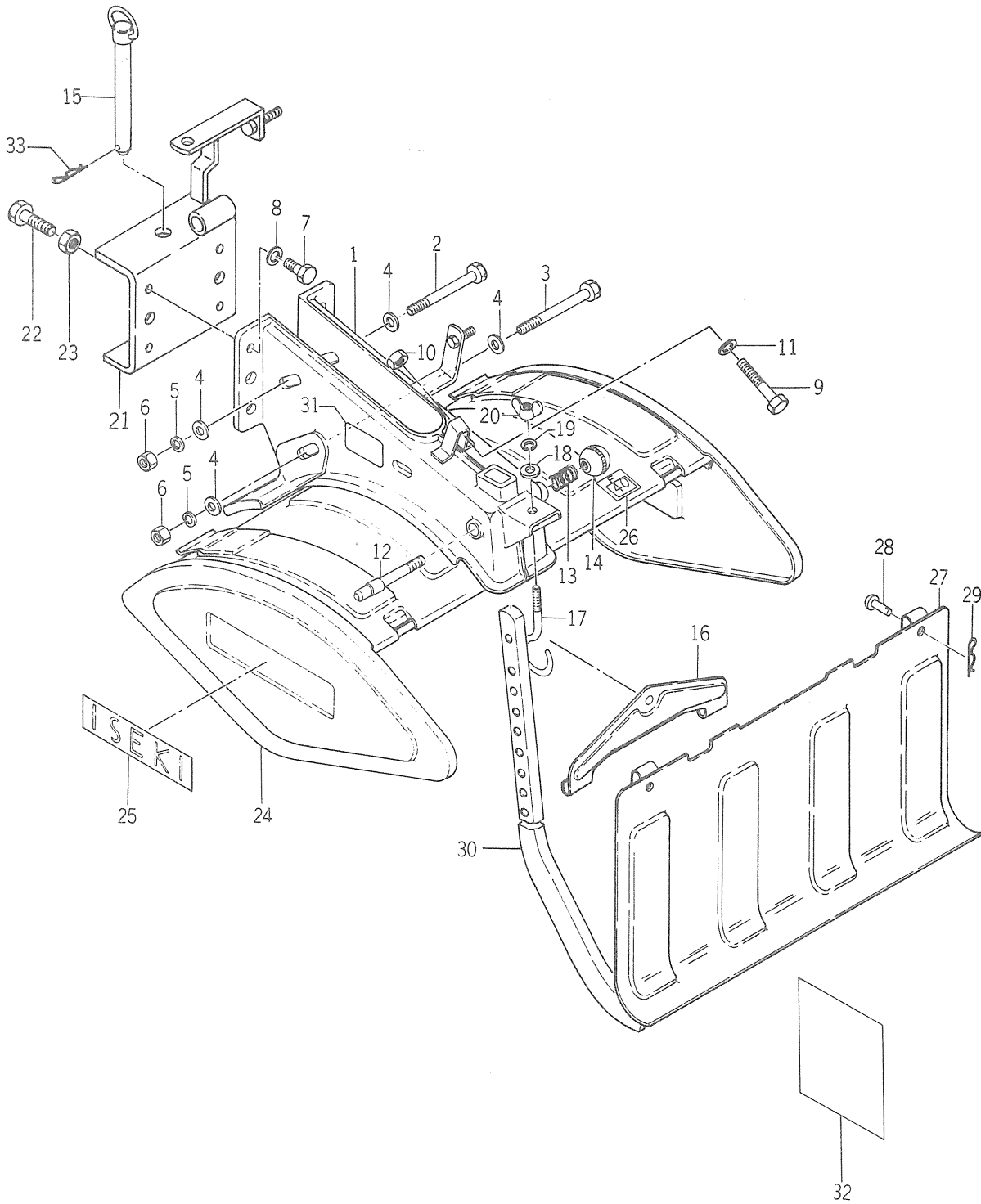
Ref No. Réf N°.	Parts No. Pièces N°.	Description Désignation	Model & Q'ty Modél & Quant		Remarks Remarques
			F 4 0-1	F 6 0-1	
24- 1	1329-241-3000-0	PIPE, WHEEL/2 Tube rallonge	2		★
24- 2	1310-241-0030-0	PIN, HEADED A Goupille	2	2	★
24- 3	1305-241-0010-0	PIN, HAIR Attache beta	2	2	★
24- 4	1349-716-1000-0	BOSS, BLADE SET Goupille de hoyau	2	4	★
24- 5	1305-202-0060-0	PIN, HEADED Goupille	2	4	★
24- 6	1305-241-0010-0	PIN, HAIR Attache beta	2	4	★
24- 7	1349-716-0010-0	BLADE, LH/C118 Hoyau G.	4	8	★
24- 8	1349-716-0020-0	BLADE, RH/C118 Hoyau D.	4	8	★
24- 9	V20136-080250	BOLT/M8×25 7 T Vis	8	16	★
24-10	V40116-000800	WASHER, SP/M8 Rondelle frein	8	16	★
24-11	V30026-000800	NUT/M8 Ecrou	8	16	★
24-12	1331-253-1000-0	PIPE, WHEEL/230 Tube rallonge		2	★
24-13	V20126-120500	BOLT/M12×50 Vis		2	★
24-14	V40116-001200	WASHER, SP/M12 Rondelle frein		2	★



Fig. 25

ROTARY FRAME

Enveloppe de rotobineuses



Ref No. Réf N°.	Parts No. Pièces N°.	Description Désignation	Model & Q'ty Modél & Quant		Remarks Remarques
			F40-1	F60-1	
25- 1	1349-721-1000-0	FRAME, ROTARY Chassis	1	1	★
25- 2	V20126-100900	BOLT/M10×90 Vis	2	2	★
25- 3	V20126-100950	BOLT/M10×95 Vis	1	1	★
25- 4	V41316-001000	WASHER/M10 Rondelle	6	6	★
25- 5	V40116-001000	WASHER, SP/M10 Rondelle frein	3	3	★
25- 6	V30026-001000	NUT/M10 Erou	3	3	★
25- 7	V20126-100250	BOLT/M10×25 Vis	4	4	★
25- 8	V40116-001000	WASHER, SP/M10 Rondelle frein	4	4	★
25- 9	1349-721-0030-0	BOLT/M10×71 S=40 Vis	1	1	★
25-10	V30226-001000	NUT/M10 Erou	1	1	★
25-11	1337-721-0020-0	WASHER/11×24×3 Rondelle	1	1	★
25-12	1349-721-0010-0	PIN, ADJ Tenon	1	1	★
25-13	1350-311-0030-0	SPRING, PRESS/38 Ressort	1	1	★
25-14	1407-117-0031-0	KNOB, LEVER/31 Pommeau	1	1	★
25-15	1349-721-3100-0	PIN, KING/134 Goupille	1	1	★
25-16	1349-721-3000-0	HANGER, COVER Support	1	1	★
25-17	1349-721-0020-0	HOOK Crochet	1	1	★
25-18	V41316-000800	WASHER/M8 Rondelle	1	1	★
25-19	V40116-000800	WASHER, SP/M8 Rondelle frein	1	1	★
25-20	V37016-000800	NUT, WING/M8 Erou a oreilles	1	1	★
25-21	1364-722-1000-0	HITCH, ROTARY Atelage	1	1	★
25-22	V20026-120450	BOLT/M12×45 Vis	2	2	★
25-23	V30226-001200	NUT/M12 Erou	2	2	★
25-24	1349-723-1000-0	COVER, ROTARY/40 Bavolet	1		★
25-24-1	1349-756-1000-0	COVER, ROTARY/60 Bavolet		1	★
25-25	1326-953-0070-0	MARK, ISEKI Etiquette	1	1	★
25-26	1349-956-0010-0	MARK, TYPE/40 Etiquette	1		★
25-26-1	1349-956-0020-0	MARK, TYPE/60 Etiquette		1	★
25-27	1349-723-2000-0	GUARD, MUD Bavette	1		★
25-27-1	1349-756-2000-0	GUARD, MUD/60 Bavette		1	★
25-28	1349-723-0010-0	PIN/8×26 Goupille	2	2	★
25-29	1305-241-0010-0	PIN/HAIR Attache beta	2	2	★
25-30	1349-726-0010-0	SKID, CENTER Barre de profondeur	1	1	★
25-31	1349-956-0060-0	MARK, ROTARY OIL Etiquette	1	1	★
25-32	1364-955-0010-0	MANUAL, ASSEMBLING Manuel	1	1	★
25-33	1305-931-0030-0	PIN, HAIR Attache beta	1	1	★



# NUMERICAL INDEX

ENGINE

Parts Code	Ref No.	Parts Code	Ref No.	Parts Code	Ref No.
5110-B05-08AX-X	1-108	5136-502-1160-0	1-18	5136-506-5180-0	4- 4a
5110-B05-10AX-X	1-81	5136-502-2110-0	1-19	5136-506-5180-2	4- 4
5110-B06-10XX-X	1-62,1-91	5136-502-3710-0	1-20,1-72	5136-506-5190-0	4- 3
5110-B06-12XX-X	1-12,1-137	5136-503-0100-0	1-26	5136-506-5210-0	4- 5
5110-B06-25XX-X	1-109	5136-503-1110-0	1-25	5136-506-5220-0	4- 6
5110-B06-34AX-X	1-34	5136-503-1210-0	1-27	5136-506-5270-0	1-129
5110-B06-42XX-X	1-35	5136-503-1220-0	1-28	5136-506-6710-2	1-85
5110-B08-12AX-X	1-94	5136-503-2100-4	1-70	5136-506-8110-1	1-133
5110-B08-14AX-X	1-131	5136-503-2170-4	1-71	5136-507-4110-0	1-54
5110-B08-25AX-X	1-22	5136-503-2400-8	1-29	5136-508-1110-0	5- 1
5112-200-9720-0	1-	5135-503-2450-0	1-30	5136-508-1640-0	1-123
5123-018-4100-6	1-58	5136-503-2480-1	1-31	5136-508-4390-3	5- 4
5132-522-1130-0	1-16	5136-504-1101-4	1-74	5136-526-1320-0	2-10a
5132-522-3830-0	1-21	5136-504-1210-0	1-79	5136-561-4440-0	1-90
5132-523-4810-0	1-73	5136-504-1240-0	1-33	5136-791-5320-0	1-86,1-86a
5135-508-4180-0	1-59	5136-504-2310-0	1-38	5136-796-8120-0	1-134
5135-921-1830-0	1-32	5136-505-1100-0	1-66	5136-856-1000-0	1-83,2-
5136-018-4360-0	5- 3	5136-505-1150-0	1-67	5136-860-9330-0	1-
5136-018-4400-0	5- 5	5136-505-1210-1	1-39	5136-871-3120-0	3- 2
5136-018-4540-0	5- 6	5136-505-1220-1	1-40	5136-871-3130-0	3- 3
5136-018-4550-0	5- 7	5136-505-1230-0	1-41	5136-871-3140-0	3- 1
5136-351-3140-0	3- 1a	5136-505-2110-0	1-46	5136-871-3160-0	3- 4
5136-351-3310-0	1-114a	5136-505-2310-0	1-47	5136-871-3190-0	3- 5
5136-351-4000-0	1-87	5136-505-2320-0	1-48	5136-878-1100-4	1-119,5-
5136-351-4310-0	1-88	5136-505-3140-0	1-100	5136-878-1230-0	5- 2
5136-351-4320-0	1-89	5136-506-1060-0	2-13	5136-900-9000-0	1-
5136-351-4450-0	1-93	5136-506-1120-0	2- 1	5136-902-3100-3	1-65
5136-351-6110-0	1-61	5136-506-1140-0	2- 2	5136-905-3100-0	1-99
5136-356-1000-1	2-	5136-506-1160-0	2- 3	5136-905-3170-0	1-102
5136-356-1910-0	1-	5136-506-1190-0	2- 4	5136-905-3820-0	1-107
5136-358-5110-0	1-124	5136-506-1200-0	2- 5	5136-906-3310-6	1-101
5136-411-3100-0	1-80,3-	5136-506-1260-0	2- 6	5136-930-8110-0	1-135
5136-411-3100-3	1-80a,3-	5136-506-1270-0	2- 7	5136-930-8510-0	1-136
5136-501-1110-5	1- 1	5136-506-1280-0	2- 8	5136-981-6120-3	1- 9
5136-501-1210-0	1- 2	5136-506-1290-0	2- 9	5136-981-6320-0	1-11
5136-501-1810-0	1- 4	5136-506-1320-0	2-10	5136-986-5610-1	1-128
5136-501-1850-0	1-78	5136-506-1430-0	2-11	5142-111-3810-0	1-118
5136-501-2310-8	1- 6	5136-506-1810-0	1-84	5142-511-3320-0	1-115
5136-501-2320-0	1- 7	5136-506-1840-0	1-51	5142-921-3160-0	1-116
5136-501-4420-0	1-96	5136-506-5100-1	1-127a,4-	5142-921-3260-0	1-117
5136-502-1110-0	1-14	5136-506-5100-2	1-127,4-	5142-921-3310-0	1-114
5136-502-1120-0	1-15	5136-506-5120-0	4- 2	5150-B06-12XX-X	1- 8
5136-502-1150-0	1-17	5136-506-5170-0	4- 1	5150-B06-14XX-X	1-10

Parts Code	Ref No.	Parts Code	Ref No.	Parts Code	Ref No.
5151-200-9450-0	1-				
5151-201-5330-0	1-				
5151-821-1830-0	1- 3				
5151-921-2330-0	1-43				
5151-927-4320-0	1-55				
5162-905-1240-2	1-42				
5171-B06-16XX-X	1-75				
5171-B06-20XX-X	1-76				
5181-906-1590-0	2-12				
5182-900-9150-0	1-				
5182-905-3320-0	1-103				
5182-905-3330-0	1-104				
5182-947-4410-0	1-56				
5188-638-4190-0	1-60				
5211-B04-06AX-X	1-44				
5211-B06-28XX-X	1-110				
5229-B04-12AX-X	1-122				
5229-B06-28XX-X	1-121				
5231-B04-10AX-X	1-120				
5310-B06-00XX-X	1-49				
5310-R06-00XX-X	1-97				
5312-B06-00XX-X	1-52-1-113				
5312-B08-00AX-X	1-125				
5312-017-2140-0	1-57				
5322-015-3510-0	1-105				
5322-015-3520-0	1-106				
5410-B06-00XX-X	1-63,1-111				
	1-139				
5410-B08-00XX-X	1- 5				
5460-F10-00XX-X	1-130				
5461-F04-00AX-X	1-45				
5461-F05-00AX-X	1-82				
5461-F06-00AX-X	1-13,1-36				
	1-64,1-92				
	1-98,1-138				
	1-112				
5461-F08-00XX-X	1-23,1-95				
	1-126,1-132				
5511-A05-20XX-X	1-24				
5552-A10-12XX-X	1-77				
5601-A62-02XX-X	1-68				
5601-A62-04XX-X	1-37,1-69				
5700-S07-95XX-X	1-85a				

# NUMERICAL INDEX

## CHASSIS

Parts Code	Ref No.	Parts Code	Ref No.	Parts Code	Ref No.
V10015-600230	13-44	V20126-100160	16-27	V30026-001000	12-23a, 16-29
V11116-600080	18-16	V20126-100250	25- 7		16-38, 23- 4
V11116-600120	18-18	V20126-100400	23- 2		25- 6
V20025-060250	13- 5	V20126-100450	12-16	V30226-000600	13A-22, 13-24
V20025-060300	13- 2	V20126-100500	6- 5, 12-33	V30226-000800	11-19
V20026-060100	8- 2, 9- 2	V20126-100550	7- 2	V30226-001000	25-10
	10-19, 14- 7	V20126-100560	6-38, 7-37	V30226-001200	6-45, 7-45
V20026-060120	8- 8, 9- 9	V20126-100600	6-24, 7-23		25-23
	13A-23, 13-25		12-21	V37016-000800	15A-27, 15B-29
	22- 5	V20126-100650	6-23, 6-35		15-35, 25-20
V20026-060140	23-19		7-22, 7-34	V40116-000600	10-20, 13A-24
V20026-060160	8-14, 9-15	V20126-100700	12-46		13-26, 14- 8
	15B-24, 20-22	V20126-100850	12-47		15B-15, 17-25
V20026-120450	25-22	V20126-100900	25- 2		17-33, 18-17
V20036-060200	17-32, 20-29	V20126-100950	16-36, 25- 3		18-19, 20-23
V20046-060300	22-31	V20126-101000	12-21a		20-30, 22- 6
V20046-101400	12-26	V20126-101400	12-45		22-32, 23-13
V20126-060100	23-12	V20126-120200	16-19	V40116-000800	7-15, 7-19
V20126-060120	14-21	V20126-120400	6-44, 7-44		9-20, 11-20
V20126-080120	15- 3, 15-26	V20126-120500	16-16, 24-13		13-31, 14A- 5
V20126-080140	14- 4	V20136-080250	24- 9		15- 4, 15A- 4
V20126-080160	6-30, 7-14a	V20146-080350	17-34, 20-32		15- 9, 15A- 9
	7-29, 12-12	V27016-100360	12- 7		15-12, 15A-13
	14A- 4, 15- 3a	V29010-300090	23-11		15B-14, 15B-18
	15A- 3, 15- 8	V29120-200050	12- 4		15A-25, 15-27a
	15-13, 15B-13	V30026-000600	8- 9, 8-15		15A-28, 15B-30
	15-30, 16-12		9-10, 9-16		15A-34, 15-36
	17-11 22- 8		13A-25, 13-27		16- 5, 16-14
V20126-080200	6-15, 7-14		14- 9, 17-24		20-26, 20-31
	14A- 3, 15A- 8		21- 8, 22- 7		22- 9, 24-10
	15-13a, 15B-17		22-33		25-19
	15-26a, 16- 3	V30026-000800	6-17, 6-21	V40116-001000	7- 3, 7-25
	17- 4, 17-16		6-33, 7-16		12-17, 12-17a
	20-25		7-20, 77-32		12-22, 12-22a
V20126-080250	9-19, 15A-14		9-21, 12-14		12-27, 14A- 8
	15A-24		13-30, 14A- 2		16-28, 23- 3
V20126-080300	9-18		14-16, 15A-10		25- 5, 25- 8
V20126-080350	15-43, 15A-33		16- 4, 16-13	V40116-001200	16-17, 16-20
	17- 7		17-14, 17-18		24-14
V20126-080400	6-18, 7-17		22-10, 24-11	V40126-000600	8-10, 8-16
V20126-080700	7-13	V30026-001000	6- 6, 6-25		9-11, 9-17
V20126-080750	7-13a		7-24, 12-18		14-22 23-20
V20126-100160	12-20, 14A- 7		12-18a, 12-23	V40126-000800	6-16, 6-20

Parts Code	Ref No.	Parts Code	Ref No.	Parts Code	Ref No.
V40126-000800	6-32, 7-31	V60011-060060	10-12,22-27	V92055-130170	19- 4a
	12-13,14- 5	V60011-062010	10-17	V92055-190220	19- 3a
	14-17,15-27	V60011-062020	10- 7,10- 9	V92315-100120	19- 5
	15-31,17- 5	V60011-062030	10- 2,22-23	V92315-140190	19- 4
	17- 8,17-13	V60011-062040	22-18	V92315-190210	19- 3
	17-17,17-35	V60011-063020	10- 9a	V93625-001500	19- 6
	20- 3,20-15	V60014-062010	15B- 4,15-19	V94019-061000	19- 7,19- 8
V40126-001000	6- 7, 6-26		20- 8		
	6-36, 6-39	V68010-000100	11- 8		
	7- 4, 7-35	V70414-001200	15B- 3,15-18		
	7-38,16-37		20-10		
V41116-000600	8- 4, 9- 4	V70414-001500	15A- 9		
V41116-001000	14-12	V70414-002100	11-21		
V41316-000600	13-32,21- 6	V70414-003600	12-11		
V41316-000800	6-11, 6-19	V70414-005500	12-30		
	7-18,11-33	V70514-003200	15B- 2,15-17		
	14-25,15-32		20- 9		
	15-37,20- 2	V70514-004000	22-12		
	20-14,25-18	V70514-004700	22-13		
V41316-001000	7- 5,12-43	V70514-005500	10-13,22-14		
	12-43a,14A- 9	V70514-007800	10-23		
	21- 3,25- 4	V71024-000700	11-14		
V41316-001200	13A- 8,13-10	V72010-040100	11-30		
	13A-33	V72010-190090	23- 6		
V41326-000800	6-31, 7-30	V72010-240120	11- 7,11-30a		
	17-12	V73507-101170	14-18		
V50015-200140	13-21	V74011-735070	10- 3		
V50015-200150	13-35	V74012-047070	22-17		
V50015-200160	11-34	V74213-055050	10-15		
V50015-200200	21- 7	V74213-050080	10-15a		
V50015-250150	7- 9	V74213-055050	22-28		
V50015-250200	21- 4	V74413-050110	10-14a		
V50015-300150	14-13	V74413-055120	10-14,22-29		
V50015-300180	13A-32	V78130-000040	8- 5		
V50015-300220	13-11,13A- 9	V81720-003400	20-27		
V50015-300250	15B- 9,15A-22	V81720-003600	15-42		
	15-23,17-28	V81720-003900	15-14,15A-15		
	20- 6		15B-19		
V50016-200140	13A- 9	V88202-400070	16- 8		
V50016-250150	6-12	V88202-400090	16-23		
V58014-040220	11-23	V88300-400070	16- 9		
V58014-040250	23-15	V88300-400090	16-24		
V58114-040220	11- 5	V92055-120140	19- 5a		







**Yvan Béal - 21, av. de l'Agriculture - B.P.16  
Z.I. du Brézet - 63014 Clermont-Ferrand Cedex 2  
Tél : 04 73 91 93 51 - Télécopie : 04 73 90 23 11  
[www.yvanbeal.fr](http://www.yvanbeal.fr) - E-mail : [info@yvanbeal.fr](mailto:info@yvanbeal.fr)  
R.C.S. Clermont-Fd B 304 973 886 - S.A.S. au capital de 612 000 €**