

130200 to 130299

Illustrated Parts List

Model Series

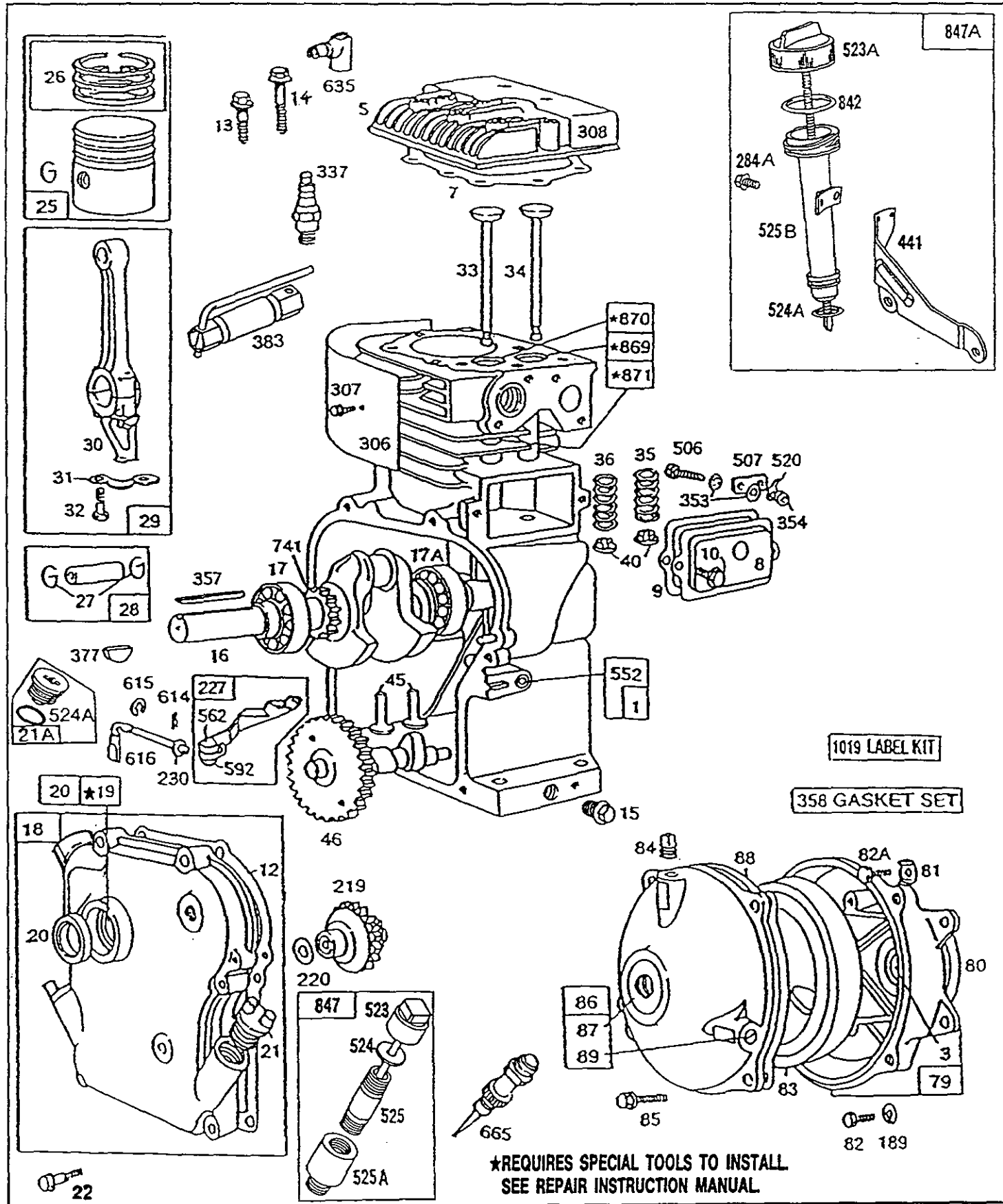
130200 to 130299

TYPE NUMBERS
2903 through 2971
3001 through 3007
3010 through 3298
4001 through 4033
4035 through 4043
4049, 4050, 4051,
4070, 4071, 4072
5200 through 5247
5501 through 5510

TO FIND THE CORRECT NUMBER OF THE PART YOU NEED: FOLLOW THE INSTRUCTIONS BELOW

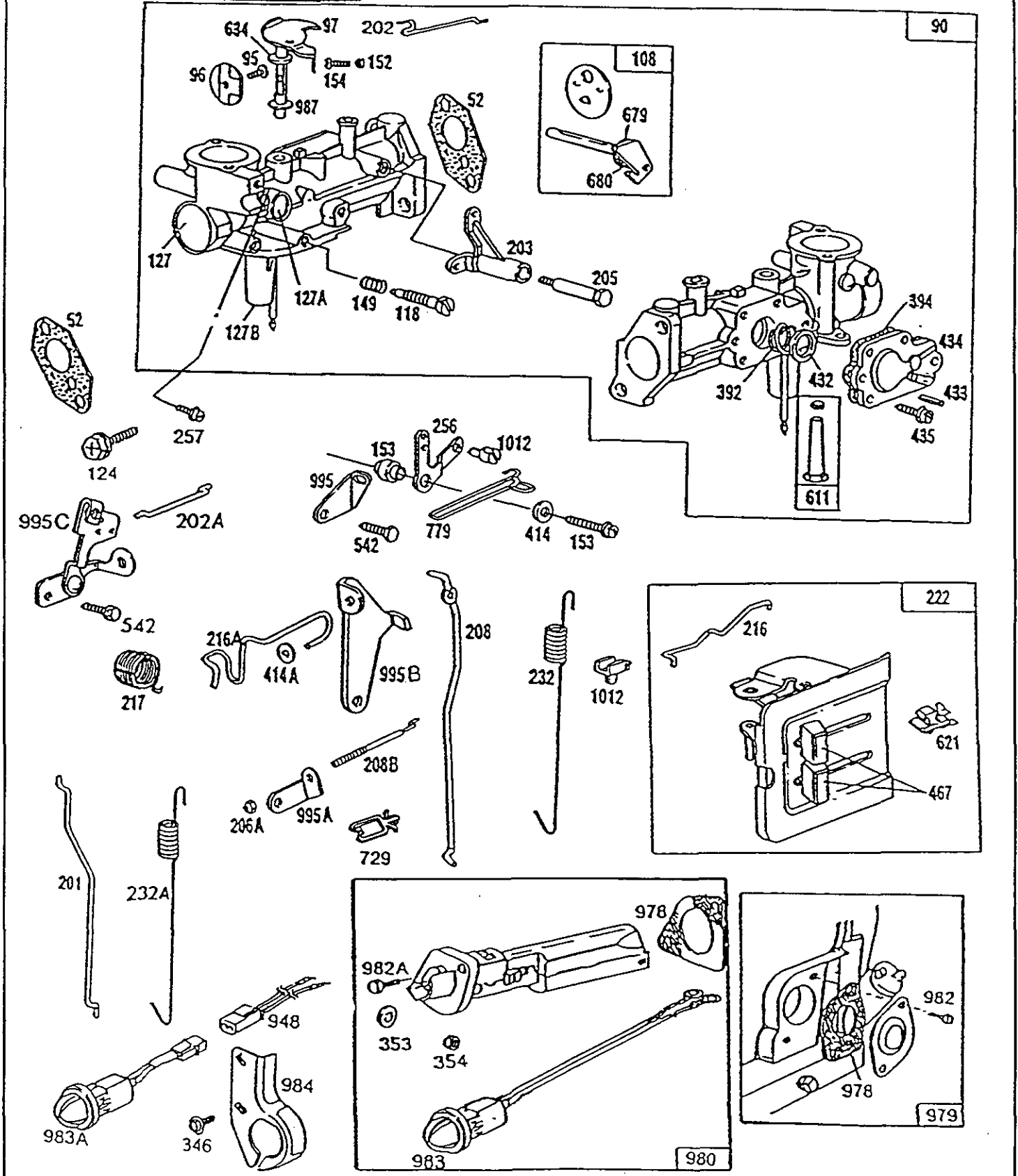
- A. Refer to Engine Model, Type and Code Number that is stamped on the blower housing of engine. Engine type numbers such as 0123 01 are listed only as 0123 in most instances. The two digits (01 or 02, etc.) to the right of the space may be required for more accurate parts identification in some instances. Select the Illustrated Parts List covering the correct Model Series and Type Number.
- B. Refer to the Illustrations and compare the original part with illustration. The number next to the illustration is the Reference Number. Assemblies include all parts shown in frames. All parts shown in assembly frames having individual reference numbers can be purchased separately.
- C. After the Reference Number has been identified, refer to the Numerical text, where Reference and Primary Part Number are listed. **THE PRIMARY PART IS USED ON ALL TYPE NUMBERS EXCEPT THOSE TYPE NUMBERS UNDER "NOTE."**
- D. If a "Note" appears below the Primary Part Number, it means that this part differs from the Primary Part for certain types. If your Type number is listed under "Note," order the part referred to at the "Note."
- E. If your Engine Type Number does not appear after any part number listed under "Note," use the Primary Part Number.
- F. For Engine Type Numbers not covered by this book, check other Parts Lists having the same engine model or contact your source of supply.

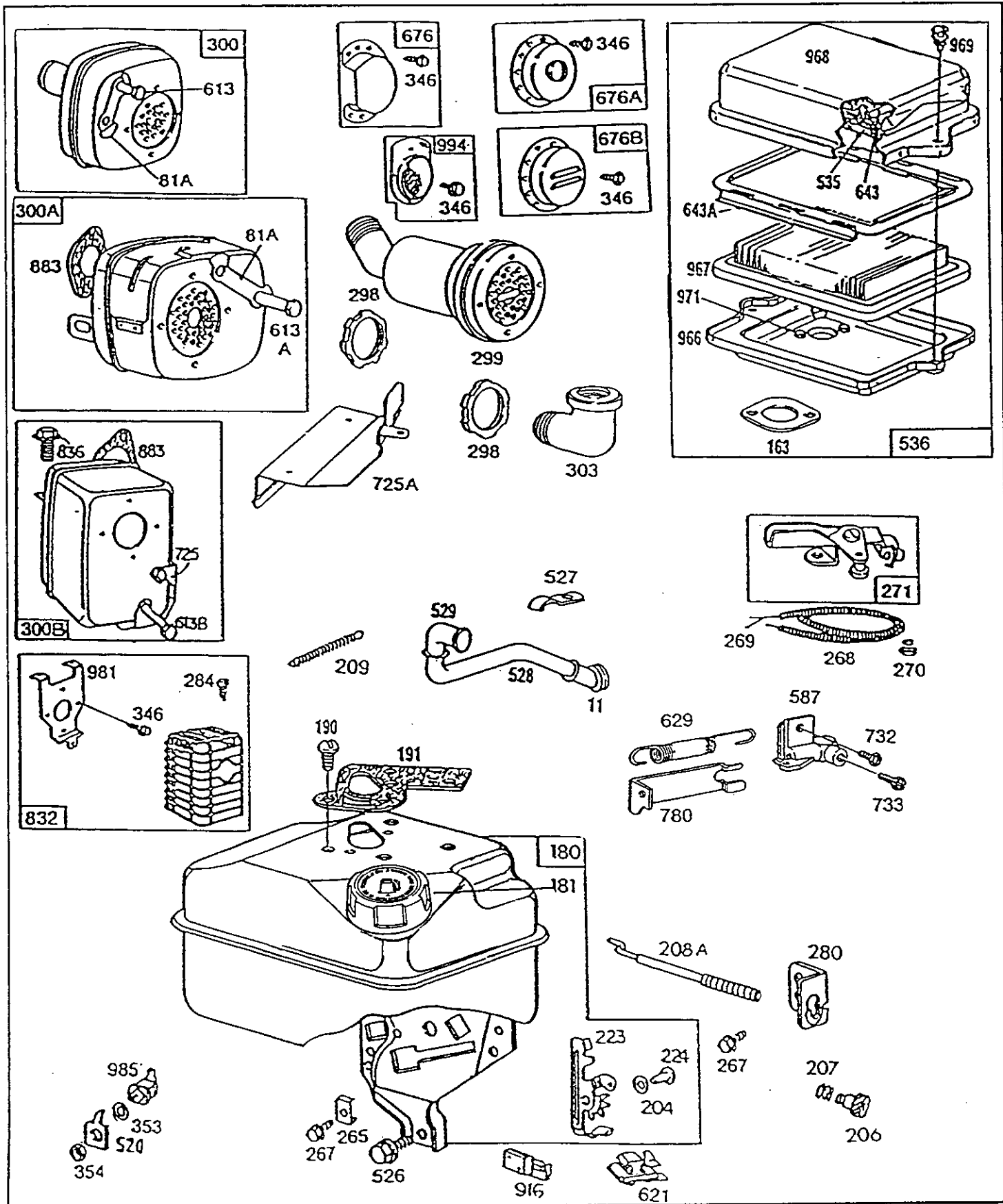
130200 to 130299



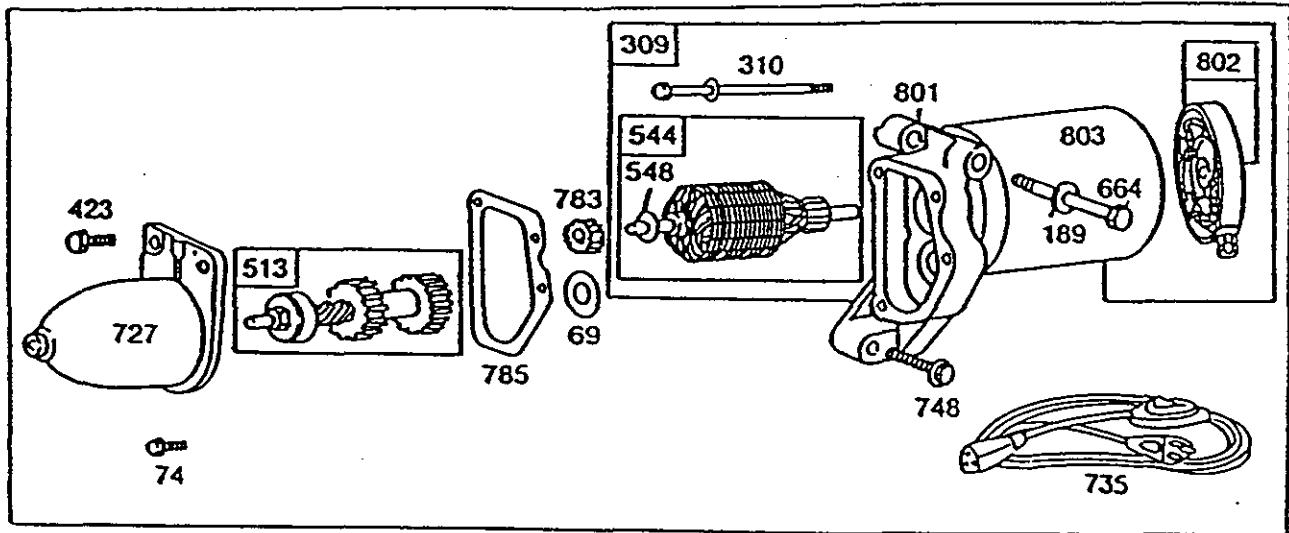
130200 to 130299

121 CARBURETOR OVERHAUL KIT





130200 to 130299



Reference Numbers									
69	310	423	548	664	727	748	783	785	801
Washer	Motor Bolt	Sem. Screw	Washer	Mtg. Screw	Drive Hsg.	Mtg. Screw	Pinion	Gasket	Mtg. Head
93676	93648	93654	93649	93358	390543	93534	230972	270718	390544

Reference Number	309	513	544	802	803
Starter Motor Mfr.	Motor	Drive Assembly	Armature Assembly	End Cap Assembly Commutator	Housing Assembly
American					
Bosch					
12V	390551*	391029	390467	390465	390468
120V	393842**	391029	-	-	-

*Uses #92813 Lockwasher and # 231082 Hex Nut

**Includes Entire Motor and Drive Assembly

130200 to 130299

REF. NO.	PART NO.	DESCRIPTION	REF. NO.	PART NO.	DESCRIPTION	REF. NO.	PART NO.	DESCRIPTION
1	395990	Cylinder Assembly Note: 494955 Cylinder Assy. (Used After Code Date 91063000). 395994 Cylinder Assy. (Used Before Code Date 91070100). Used on Type Nos. 2925, 3015, 3048, 3083, 3124, 3153, 3154, 3221, 3237, 3244, 3248, 3251, 3253, 3255, 3267, 4011, 4013, 4025.			3094, 3099, 3104, 3107, 3110, 3122, 3125, 3159, 3162, 3169, 3174, 3186, 3189, 3193, 3195, 3216, 3218, 3222, 3234, 3248, 3249, 3255, 3259, 3266, 3294, 3298, 4002, 4003, 4004, 4005, 4007, 4008, 4009, 4010, 4011, 4012, 4013, 4015, 4016, 4017, 4018, 4019, 4020, 4022, 4023, 4025, 4027, 4028, 4030, 4033, 4036, 4038, 4049, 4050, 4051, 4070, 4071, 5215, 5236, 5237, 5241, 5501, 5504, 5505, 5506, 5509, 5510.			396820 Crankshaft Used on Type No. 5242.
		494955 Cylinder Assy. (Used After Code Date 91063000). 398765 Cylinder Assembly (OIL GARD®) (Used Before Code Date 91070100). Used on Type No. 4072, and all Type Nos. Above 5200.			4020, 4022, 4023, 4025, 4027, 4028, 4030, 4033, 4036, 4038, 4049, 4050, 4051, 4070, 4071, 5215, 5236, 5237, 5241, 5501, 5504, 5505, 5506, 5509, 5510.			397087 Crankshaft (Used After Code Date 91063000). 492089 Crankshaft (Used Before Code Date 91070100). Used on Type Nos. 5203, 5207, 5211, 5215, 5217, 5220, 5231, 5504.
2	297565	Bushing-Cylinder Note: Requires Special Tools For Installation.			391608 Bracket-Mtg. Furnished by Equipment Manufacturer on Type No. 3214.			397087 Crankshaft Used Type Nos. 2935, 3018, 3023, 3081, 3085, 3095, 3181, 3193, 4035. 397089 Crankshaft Used on Type No. 2937.
3	★299819	Seal-Oil	14	93369	Screw-Cylinder Head (2-15/32" Long)			397091 Crankshaft (Used After Code Date 91063000). 397090 Crankshaft (Used Before Code Date 91070100). Used on Type Nos. 4072, 5200, 5204, 5205, 5206, 5208, 5209, 5214, 5216, 5223, 5225, 5226, 5227, 5228, 5229, 5232, 5233, 5235, 5236, 5238, 5240, 5244, 5340, 5501, 5502, 5503, 5507, 5508, 5509.
5	211542	Head-Cylinder			Note: 93583 Stud-Cyl. Head 22963 Washer Used on Type Nos. 3022, 3041, 3047, 3050, 3081, 3087, 3089, 3099, 3110, 3166, 3169, 3189, 3216, 4002, 4003, 4008, 4019, 4022, 4027, 5215, 5237.			397095 Crankshaft (Used After Code Date 91063000). 397094 Crankshaft (Used Before Code Date 91070100). Used on Type Nos. 5202, 5222, 5230.
7	★272157	Gasket-Cylinder Head	15	91249	Plug-Pipe, 1/4" Std. Square Head			
8	294178	Breather-Vlv. Chamber			Note: 93448 Plug-Pipe (Hex. Socket) 94174 Plug-Oil Drain (Magnetic)			
9	★27549	Gasket-Valve Cover			492088 Crankshaft Note: To Replace Crankshaft Gear Pin, Order Part No. 230978.			
10	94621	Screw-Breather Mtg.						
11	66578	Grommet-Brea. Tube						
12	★270080	Gasket-Crankcase (.015" Thick, Standard)						
	★270125	Gasket-Crankcase (.005" Thick)						
	★270126	Gasket-Crankcase (.009" Thick)						
13	93368	Screw-Cylinder Head (2-3/32" Long) Note: 93583 Stud-Cyl. Head 22963 Washer Used on Type Nos. 2903, 3013, 3022, 3028, 3041, 3047, 3050, 3053, 3064, 3076, 3081, 3087,						

★ Included in Gasket Set-Part No. 397145.

● Included in Carburetor Overhaul Kit-Part No. 494624.

130200 to 130299

REF. NO.	PART NO.	DESCRIPTION	REF. NO.	PART NO.	DESCRIPTION	REF. NO.	PART NO.	DESCRIPTION
	397095	Crankshaft Used on Type Nos. 2949, 3003, 3007, 3019, 3027, 3057, 3073, 3086, 3132, 3142, 3179, 3225, 4049, 4050, 4051.		493015	Crankshaft Used on Type Nos. 3088, 3174, 3189.			Date 91070100). Used on Type Nos. 5237, 5239, 5243, 5246, 5247.
	397096	Crankshaft Used on Type Nos. 2925, 3015, 3048, 3083, 3124, 3153, 3154, 3221, 3237, 3244, 3251, 3253, 3267, 4011, 4013, 4025, 5245.		493290	Crankshaft (Used After Code date 91063000).		494035	Crankshaft Used on Type Nos. 3041, 3110, 3182, 3224, 3246, 3247, 3271.
	397102	Crankshaft (Used After Code Date 91063000).		493898	Crankshaft (Used Before Code Date 91070100). Used on Type Nos. 5212, 5213, 5224, 5241, 5505, 5506.		494413	Crankshaft Used on Type Nos. 3248, 3255.
	397101	Crankshaft (Used Before Code Date 91070100). Used on Type Nos. 5210, 5218, 5221, 5510.		493290	Crankshaft Used on Type Nos. 2936, 2943, 3002, 3006, 3014, 3017, 3020, 3020, 3029, 3030, 3054, 3054, 3055, 3058, 3059, 3059, 3067, 3068, 3069, 3070, 3071, 3075, 3075, 3082, 3090, 3091, 3091, 3093, 3097, 3098, 3098, 3099, 3100, 3101, 3101, 3108, 3123, 3140, 3140, 3146, 3157, 3162, 3162, 3164, 3165, 3175, 3175, 3176, 3183, 3188, 3188, 3194, 3195, 3203, 3203, 3210, 3212, 3240, 3252, 3258, 3260, 3262, 3264, 3266, 3268, 3269, 3272, 3275, 3278, 3281, 3288, 3292, 3293, 3294, 4008, 4009, 4017, 4018, 4019, 4022, 4027, 4029, 4032, 4033, 4036, 4043.	17	99158	Bearing-Ball (P.T.O. Side)
	397103	Crankshaft Used on Type Nos. 2920, 3011, 3012, 3113, 3116, 3129, 3130, 3166, 3172, 3202, 3256, 4020.		492090	Crankshaft Used on Type Nos. 2934, 2938, 3031, 3052, 3072, 3076, 3079, 3084, 3096, 3105, 3115, 3117, 3141, 3155, 3185, 3197, 3208, 2330, 4010, 4038, 5503.	17A	99157	Bearing-Ball (Magneto Side) Used on Type No. 4072, and Type Nos. 5200 and Above.
	492926	Crankshaft Used on Type Nos. 2903, 3050, 3064, 3092, 3104, 3109, 3112, 3122, 3152, 3159, 3186, 3218, 3222, 3245, 3250, 3274, 3276, 3289, 3290, 3297, 3298, 4003, 4007.		494035	Crankshaft (Used After Code Date 91063000).	18	297602	Cover Assy.-Crkcse. Note: 494044 Cover Assy.- Crankcase Used on Type Nos. 3043, 3049, 3051, 3113, 3116, 3166, 3172, 3173, 3202, 3234, 3238, 3242, 3270, 4001, 4002, 4003, 4004, 4005, 4014, 4015, 4016, 4020, 4025, 4030.
				493980	Crankshaft (Used Before Code		298204	Cover Assy.-Crkcse Used on Model <i>130231, 130232,</i> <i>130237,</i> Series Engines.
							298517	Cover Assy.-Crkcse. Used on Model <i>130212,</i> <i>130217, 130252</i> Series Engines Except as Listed Under Note. Note: 392778 Cover Assy.- Crankcase Used on Type Nos. 3041, 3110, 3182, 3224, 3246, 3247, 3271, 5237, 5239, 5243, 5246, 5247.

★ Included in Gasket Set-
Part No. 397145.

● Included in Carburetor Overhaul Kit-
Part No. 494624.

130200 to 130299

REF. NO.	PART NO.	DESCRIPTION	REF. NO.	PART NO.	DESCRIPTION	REF. NO.	PART NO.	DESCRIPTION	
	493914	Cover Assy.-Crkscse. Used on Model <i>130292, 130297</i> Series Engines.		3201, 3204, 3206, 3206, 3215, 3220, 3221, 3222, 3235, 3237, 3244, 3251, 3254, 3261, 3263, 3265, 3277, 3282, 3283, 3287, 4011, 4070, 4071, 5245.		23A	493456	Flywheel Assembly (Includes Steel Ring Gear) Used With Electric Motor With Steel Pinion Gear.	
	493916	Cover Assy.- Crkscse. Used on Type Nos. 3231, 3250, 3274, 3276, 3289, 3298, 4007.		392741	Oil Seal and Spacer Used on Type Nos. 3041, 3110, 3182, 3224, 3246, 3247, 3271, 5237, 5239, 5243, 5246, 5247.		24	222698	Key-Flywheel
19	297603	Bushing-Crkscse. Cover Note: Requires Special Tools For Installation.					25	298904	Piston Assy. (Standard)
20	294606	Seal-Oil Note: 393812 Seal-Oil Used on Model <i>130231,</i> <i>130232, 130237</i> Series Engines.	21	66768	Plug-Oil Filler			298905	Piston Assy. (.010" O.S.)
	298504	Oil Seal and Spacer Used on Type Nos. 2923, 3032, 3046, 3048, 3064, 3077, 3092, 3112, 3118, 3119, 3120, 3124, 3127, 3135, 3148, 3153, 3159, 3167, 3169, 3178, 3186, 3187, 3190, 3196, 3198, 3199, 3217, 3218, 3227, 3229, 3231, 3233, 3241, 3245, 3250, 3253, 3267, 3274, 3276, 3279, 3284, 3289, 3290, 3291, 3297, 3298, 4006, 4007, 4012, 4013, 4021, 4023, 4026.	21A	399195	Plug-Oil Filler (For High Oil Fill Hole)			298906	Piston Assy. (.020" O.S.)
	391484	Seal-Oil Used on the Auxiliary P.T.O. Shaft on Type Nos. 2970, 2971, 3080, 3004, 3015, 3016, 3025, 3039, 3040, 3045, 3047, 3060, 3061, 3074, 3080, 3089, 3111, 3114, 3133, 3147, 3168, 3171, 3180, 3180,	22	93032	Screw-Crankcase Cover Mounting Sem Note: 93656 Stud 90832 Lockwasher Used to Mount Crankcase Cover on Type Nos. 2971, 3011, 3012, 3026, 3036, 3037, 3038, 3042, 3074, 3089, 3111, 3124, 3129, 3130, 3133, 3137, 3143, 3149, 3156, 3160, 3163, 3167, 3171, 3177, 3180, 3192, 3196, 3200, 3207, 3234, 3259, 3267, 3273, 3286, 4002, 4011, 4013, 4014, 4016, 4020, 4025, 4071, 5241.			298907	Piston Assy. (.030" O.S.)
								PISTON RING SETS:	
								Note:	For Chrome Piston Ring Set (Standard Size) Order Part No. 299742.
							26	298982	Ring Set-Piston (Standard)
								298983	Ring Set-Piston (.010" O.S.)
								298984	Ring Set-Piston (.020" O.S.)
								298985	Ring Set-Piston (.030" O.S.)
							27	26026	Lock-Piston Pin
							28	298909	Pin Assy.-Piston (Standard)
								298908	Pin Assy.-Piston (.005" O.S.)
							29	299430	Rod Assy.-Connecting Note: For Connecting Rod With .020" Undersize Crankpin Bore-Order No. 390459.
							30	221890	Dipper-Connecting Rod
							31	221876	Lock-Conn. Rod Screw
							32	92296	Screw-Connecting Rod
							33	211119	Valve-Exhaust Note: 262464 Valve-Exhaust (Used After Code Date 90051400). 260860 Valve-Exhaust (Used Before Code Date 90051500). Used on Type Nos. 2903, 2934, 2938,
			23	297229	Flywheel-Magneto				

★ Included in Gasket Set-
Part No. 397145.

● Included in Carburetor Overhaul Kit-
Part No. 494624.

130200 to 130299

REF. NO.	PART NO.	DESCRIPTION	REF. NO.	PART NO.	DESCRIPTION	REF. NO.	PART NO.	DESCRIPTION
		3069, 3079, 3105, 3122, 3141, 3185, 3197, 5214, 5225, 5228, 5232.			3039, 3040, 3047, 3060, 3061, 3074, 3089, 3111, 3114, 3133, 3147, 3168, 3171, 3180, 3201, 3204, 3206, 3220, 3221, 3235, 3237, 3244, 3251, 3254, 3261, 3277, 3282, 3287, 4011, 4070, 4071, 5245.			75 224061 Washer-Spring
34	261044	Valve-Intake			212777 Gear-Cam Used on Type Nos. 3045, 3080, 3215, 3263, 3265, 3283.	79	290779	Case Assembly-Gear
35	260552	Spring-Intake Valve				80	27667	Gasket-Gear Case
36	26478	Spring-Exhaust Valve				81	220234	Lock-Screw
	Note:	262750 Spring-Exhaust Valve (Used After Code Date 90051400).				81A	222263	Lock-Screw (3/8" Dia. Bolt Holes)
		26826 Spring-Exhaust Valve (Used Before Code Date 90051500). Used on Type Nos. 2903, 2934, 2938, 3069, 3079, 3105, 3122, 3141, 3185, 3197, 5214, 5225, 5228, 5232.	52	271936	Gasket-Carb. Mtg. (2)	82	91541	Screw-Cap Hex. Hd. (7/8" Long)
			55	299431	Housing-Rewind Starter	82A	92279	Screw-Cap, Hex. Hd. (1-1/2" Long)
37	222443	Guard-Flywheel				83	211293	Shaft and Gear-Drive
37A	222578	Guard-Flywheel (Used on Engines With Electric Starters).	56	295871	Pulley-Rewind Starter (Includes 63" Long Rope) If Longer Rope is Required, Order Rope No. 66894 and Cut to Length.	84	92617	Plug-Breather
			57	490179	Spring-Rewind Starter	85	92747	Screw-Gear Case Mounting Sem
40	93312	Retainer-Valve Spring	58	66884	Rope-Rewind Starter (63" Long) If Longer Rope is Required, Order Rope No. 66894 and Cut to Length.	86	291730	Cover Assy.-Gear Case
	Note:	491442 Rotocoil-Exhaust Valve (Used After Code Date 90051400).				87	19011	Seal-Oil
		292259 Rotocoil-Exhaust Valve				88	27313	Gasket-Gear Case Cover
		230126 Pin-Exhaust Valve Rotocap Retainer				89	93448	Plug-Oil Drain
		230127 Retainer-Exhaust Valve Rotocap (Used Before Code Date 90051500). Used on Type Nos. 2903, 2934, 2938, 3069, 3079, 3105, 3122, 3141, 3185, 3197, 5214, 5225, 5228, 5232.				90	492611	Carburetor Assembly Note: 492610 Carb. Assy. Used on Type Nos. 3080, 3212, 3283.
45	260642	Tappet-Valve	59	490653	Insert-Starter Handle	95	93499	Screw-Thr. Vlv to Shaft
46	212733	Gear-Cam	59A	230228	Pin-Starter Grip	96	223793	Throttle-Carburetor
	Note:	211284 Gear-Cam Used on Type Nos. 2970, 2971, 3004, 3015, 3016, 3025,	60	490652	Handle-Rewind Starter	97	490048	Shaft and Lever-Thr.
			60A	66728	Grip-Starter Grip	108	491177	Valve Group-Choke
			65	94128	Screw-Stamped Steel Housing Mtg. Sem	118	231533	Valve-Needle
			66	399671	Clutch Assy.-Rewind Starter	121	494624	Carburetor Overhaul Kit
			67	394897	Housing-Starter Clutch	124	93357	Screw-Hex. Head
			68	63770	Ball-Clutch	127	220352	Plug-Welch
			70	298799	Ratchet-Rewind Starter	127A	223789	Plug-Welch (Mixing Chamber)
			71	394506	Washer-Clutch Retainer	127B	223472	Plug-Welch (Well) (Used Before Code Date 89022500 and After Code Date 87011100). Note: 223790 Plug-Welch (Used Before Code Date 87011200).
			73	221923	Screen-Starter Pulley	149	26336	Spring-Needle Valve
			74	93490	Screw-Hex. Head Note: 93808 Screw-Truss Head Sem	152	260575	Spring-Throttle Adjustment
						153	490589	Screw Assy.
						154	93527	Screw-Machine Rd. Hd.
						163	271935	Gasket-Air Cleaner Mounting

* Included in Gasket Set-Part No. 397145.

• Included in Carburetor Overhaul Kit-Part No. 494624.

130200 to 130299

REF. NO.	PART NO.	DESCRIPTION	REF. NO.	PART NO.	DESCRIPTION	REF. NO.	PART NO.	DESCRIPTION
180	492927	Tank Assembly-Fuel Note: 491424 Tank Assy.-Fuel (1 Quart) Uses: 491266 Bracket-Control 94620 Screw (Tank to Bracket) Used on Type Nos. 3080, 3212. 491424 Tank Assy.-Fuel (1 Quart) Uses: 495114 Bracket-Control 94620 Screw (Tank to Bracket) Used on Type No. 3283.			3171, 3172, 3176, 3188, 3192, 3202, 3210, 3211, 3212, 3214, 3229, 3231, 3238, 3240, 3254, 3270, 3275, 3280, 3285, 3298, 4004, 4016, 4020, 4022, 4027, 4029, 4032, 4033. 262284 Spring-Gov. Used on Type Nos. 3048, 3093, 3154, 3179, 3203, 3241, 3253, 4018, 4030, 5230. 262285 Spring-Gov. Used on Type Nos. 2938, 3031, 3041, 3076, 3081, 3110, 3128, 3155, 3182, 3185, 3208, 3224, 3230, 3246, 3247, 4038, 5204, 5205, 5208, 5215, 5236, 5237, 5238, 5239, 5243, 5246, 5247, 5501, 5502. 262290 Spring-Gov. Used on Type Nos. 2934, 3052, 3072, 3079, 3084, 3091, 3096, 3105, 3115, 3117, 3141, 3197, 4010, 4072, 5200, 5206, 5206, 5209, 5214, 5216, 5216, 5223, 5225, 5226, 5226, 5227, 5228, 5229, 5232, 5233, 5503, 5235, 5240, 5242, 5244, 5503, 5507, 5508, 5509.	219	494845	Gear-Governor (Used After Code Date 91060900). Note: 391737 Gear-Gov. (Used Before Code Date 91061000).
181	490075	Cap-Fuel Tank				220	221551	Washer-Thrust
189	90366	Washer-Lock				222	490649	Bracket-Control
190	94094	Screw-Fuel Tank Mounting Sem				223	223455	Lever-Gov. Control
191	★271928	Gasket-Fuel Tank Mounting				224	93491	Rivet-Governor Control Lever Mounting
200	223886	Guide-Air				227	490374	Lever Assy.-Governor
201	262280	Link-Governor				230	222450	Washer-Gov. Lever
202	262270	Link-Throttle				231	93064	Screw-Sem
202A	262470	Link-Throttle				232	262288	Spring-Return
203	280720	Crank-Bell				232A	262310	Spring-Governor Link
204	222962	Bushing-Gov. Lever				256	223813	Crank-Bell
205	231520	Screw-Shoulder				257	93543	Screw-Fil. Hd. Sem
206	231266	Nut-Control Rod				265	221535	Clamp-Casing
206A	94081	Stopnut-Hexagon				267	93496	Screw-Sem
207	26855	Spring-Control Rod				268	66986	Casing-Control Wire (48" Long) Note: If Longer Casing is Needed, Specify Length in Inches; if a Shorter Casing is Needed, Order No. 66986 and Cut to Required Length.
208	262279	Rod-Control				269	26099	Wire-Control (54" long) Note: If Longer Wire is Needed, Specify Length in Inches; if Shorter Wire is Needed, Order No. 26099 and Cut to Required Length.
208A	262323	Rod-Control				270	63426	Locknut-Control Wire Casing
208B	262321	Rod-Idle Control				271	290568	Lever Assy.-Control
209	262282	Spring-Governor Note: 262283 Spring-Gov. Used on Type Nos. 2920, 3011, 3013, 3026, 3037, 3038, 3042, 3043, 3044, 3045, 3046, 3056, 3057, 3062, 3077, 3090, 3097, 3098, 3107, 3111, 3112, 3113, 3116, 3119, 3121, 3130, 3143, 3146, 3149, 3163,	216	262359	Link-Choke (Used After Code Date 87030100). Note: 262274 Link-Choke (Used Before Code Date 87030200).	280	223798	Bracket-Control Rod
			216A	262275	Link-Choke	284	93572	Screw-Self Tapping
			217	262281	Spring-Choke	284A	94620	Screw-Hex. Hd.
						298	261409	Locknut-Muffler
						299	393368	Muffler-Exhaust (Round Lo-Tone) Note: 393010 Muffler-Ex. Used on Type Nos. 3119, 3120, 3264, 3267, 4026.

★ Included in Gasket Set-Part No. 397145.

● Included in Carburetor Overhaul Kit-Part No. 494624.

130200 to 130299

REF. NO.	PART NO.	DESCRIPTION	REF. NO.	PART NO.	DESCRIPTION	REF. NO.	PART NO.	DESCRIPTION
300	393615	Muffler-Exhaust Note: Parts Furnished by Equipment Manufacturer 222595 Shield-Heat Used on Type No. 3214.	300B	396001	Muffler-Exhaust (Lo-Tone)			492167 Plug-Spark (1-7/8" High, 48 mm)
			303	91464	Elbow-Exhaust, 90° Street Note: 94089 Elbow-Exhaust 45° Street 223327 Bracket-Muffler Used on Type Nos. 3120, 3264.			802592 Plug-Spark (1-7/8" High, 48 mm, Resistor Type)
300A	390918	Muffler-Exhaust Note: 391313 Muffler-Ex. Uses: 223717 Spacer-Muffler Bracket 391232 Guard-Muffler 94153 Screw-Guard and Retainer Mounting (Used After Code Date 88090200). 93415 Screw (Guard and Retainer Mounting) (Used Before Code Date 88090300). 94186 Screw (Guard to Muffler Mtg.) 222379 Retainer-Muffler (Used Before Code Date 88090300). 222361 Brace-Muffler Used on Type Nos. 3043, 3044, 3056, 3062, 3090, 3096, 3105, 3144, 3188, 3238, 3258, 3260, 3268, 3272, 3278, 3282, 3293, 4014, 4022, 4032, 4072, 5202, 5228, 5507. 391313 Muffler-Ex. Uses: 222361 Brace-Muffler 94153 Screw-Hex. Hd. Used on Type Nos. 3048, 3245, 5238, 5240. 391313 Muffler-Ex. Uses: 222361 Brace-Muffler 94153 Screw-Hex. Hd. 223717 Spacer Used on Type No. 4070.	304	490169	Housing-Blower Note: 490168 Housing-Blower Used on Type Nos. 2925, 3015, 3048, 3083, 3124, 3153, 3154, 3221, 3237, 3244, 3248, 3253, 3255, 3267, 4011, 4013, 4025, 5242, 5245.			346 93705 Screw-Sem
			305	93158	Screw-Blower Housing Mounting			353 92791 Washer-Lock-Shake-proof
			306	221511	Shield-Cylinder			354 90576 Nut-Hex.
			307	93490	Screw-Cylinder Shield Mounting Sem (Used After Code Date 87020800). Note: 93042 Screw-Cylinder Shield (Used Before Code Date 87020900.)			356 398808 Wire-Ground Note: 398708 Wire-Ground Used on Type Nos. 3015, 3030, 3048, 3170, 3221, 3238, 3244, 3248, 3251, 3253, 3255, 3259, 3265, 3266, 3284, 3291, 3297, 4003, 4011, 4019, 4020, 4071, 5245.
			308	221512	Cover-Cylinder Head			357 91539 Key
			309		Motor-Starting See Chart on Illustrated Pages For Replacement Parts For Starter Motors.			358 397145 Gasket Set
			325	299421	Starter Pulley With Screen			363 19069 Flywheel Puller
			330	69932	Rope-Starter			373 92987 Nut-Hex.
			331	224061	Washer-Flywheel			377 93065 Key-Woodruff Note: 94425 Key-Woodruff Used on Type Nos. 3025, 3060, 3201, 3204, 3277, 3287.
			332	92284	Nut-Flywheel			383 89838 Wrench-Spark Plug
			333	397358	Armature Assembly			392 262328 Spring-Fuel Pump Diaphragm
			334	93613	Screw-Armature Mtg.			394 •270026 Diaphragm
			335	93414	Screw-ArmatureMtg.			414 220982 Washer
			337	298809	Plug-Spark (1-1/2" High, 38 mm) Note: 293918 Plug-Spark (1-1/2" High, 38 mm, (Resistor Type)			414A 221198 Washer
								432 221377 Cap-Spring
								433 93265 Pin-Diaphragm Cover
								434 210959 Cover-Diaphragm
								435 93141 Screw-Diaph. Cover
								441 224240 Bracket-Oil Filler
								467 280715 Knob-Control
								474 494254 Stator Assy.-Alternator (Used After Code Date 91041400).
								474A 494254 Stator Assy.-Alternator (Used Before Code Date 91041500).
								481 231767 Bushing-Stator (Used After Code Date 91041400).

* Included in Gasket Set-Part No. 397145.

• Included in Carburetor Overhaul Kit-Part No. 494624.

130200 to 130299

REF. NO.	PART NO.	DESCRIPTION	REF. NO.	PART NO.	DESCRIPTION	REF. NO.	PART NO.	DESCRIPTION		
481A	230970	Bushing-Stator (Used Before Code Date 91041500).	611	391813	Fuel Pipe and Clip Assembly	779	262276	Link-Bell Crank		
482	93639	Screw-Alternator Armature Mounting		Note: 297219	Pipe-Fuel (1 Quart)	780	224085	Anchor-Spring		
506	90200	Screw-Machine, Fil.			Used on Type Nos. 3080, 3212, 3283.	823	93712	Screw-Socket Hd.		
507	66895	Insulator	613	93935	Screw-Hex. Hd. Shoulder	832	490534	Guard-Muffler		
520	93722	Terminal-Spade				836	93559	Screw-Hex. Head		
523	297357	Cap-Oil Filler	613A	94042	Screw-Muffler Mtg.	842	270920	Seal-Oil Cap		
523A	494416	Cap-Oil Filler (Used After Code Date 90102800).	613B	94054	Screw-Hex. Hd. Shoulder	847	493955	Oil Filler Assy.		
	Note: 492249	Cap-Oil Filler (Used Before Code Date 90102900).				847A	494417	Oil Filler Assy. (Used After Code Date 90102800).		
524	65304	Gasket-Oil Filler Cap		614	93306	Pin-Cotter		Note: 493367	Oil Filler Assy. (Used Before Code Date 90102900).	
524A	271485	Seal-Filler Tube		615	93307	Retainer-E-Ring	851	221798	Cable Terminal-Ignition	
525	91258	Nipple-Oil Filler		616	231077	Crank-Governor	869	211787	Seat-Intake Valve (Standard)	
525A	394884	Adaptor-Oil Filler		621	396847	Switch-Stop				
525B	280578	Tube-Oil Filler (Used After Code Date 90102800).		629	261137	Spring-Throttle Return	870	211172	Seat-Exhaust Valve (Standard)	
	Note: 280508	Tube-Oil Filler (Used Before Code Date 90102900).		634	271853	Washer-Throttle Shaft (Foam)		Note: For Options See	Repair Manual.	
526	94409	Screw-Tank Bracket Mounting Sem		635	66538	Elbow-Spark Plug	871	262001	Guide-Exhaust Valve Note: 63709	Guide-Intake Valve See Repair Instruction Manual.
527	223786	Clamp-Breather Tube		638	93713	Lock-Washer				
528	231550	Tube-Breather		643	280737	Retainer-Foam Element				
529	67838	Grommet-Breather Tube	643A	280726	Retainer-Air Filter					
535	491435	Element-Air Cleaner		655	222598	Anchor-Spring	877	393854	Diode and Connector Assembly	
536	494279	Air Cleaner Kit		665	298858	Oil Minder	878	393422	Alternator Hardness Assembly	
542	93572	Screw		670	261065	Spacer-Armature	883	*270918	Gasket-Muffler	
552	231079	Bushing-Governor Crank (1/4" I.D.)		676	393757	Deflector-Exhaust (Side Outlet)	916	280321	Gear Rack-Governor Note: 280324	Gear Rack-Governor Used on Type Nos. 2916, 2917, 3030, 3033, 3062, 3063, 3064, 3065, 3083, 3102, 3154, 3159, 3170, 3180, 3214, 3222, 3238, 3259, 3265, 3283, 3284, 3291, 3297, 4016, 4019, 4071.
562	92613	Bolt-Governor Lever		676A	395700	Deflector-Exhaust (Direct Outlet)				
575	396291	Switch-Ignition Uses: 392832		676B	393758	Deflector-Exhaust (Louvered)				
587	213474	Clamp-Speed Control		679	270382	Washer Choke Shaft (Foam)				
592	231082	Nut-Hex.		680	221839	Washer Choke Shaft (Brass)				
608	390463	Starter Assy.-Rewind Note: 493393		682	211516	Shield-Clutch				
		Starter Assy.-Rewind Used on Type Nos. 3284, 3291.		712	223140	Guard-Ring Gear				
				725	223303	Shield-Heat				
				725A	223867	Shield-Heat				
				726	494548	Gear-Ring (Includes Mtg. Parts)				
				729	280590	Clip-Wire				
				732	94414	Screw-Hex. Hd.	948	398661	Harness-Wire	
				733	94415	Screw-Hex. Hd.	949	280680	Guard-Rewind Starter	
				735	390900	Cord-Starter	966	490074	Base-Air Cleaner	
				741	261696	Gear-Timing (Plain Bearing)	967	491588	Filter-Air	
					Note: 262060	Gear-Timing (Ball Bearing)	968	223765	Cover-Air Cleaner	
							969	490073	Screw-Cover Mtg. (Includes Grommet)	

* Included in Gasket Set-Part No. 397145.

• Included in Carburetor Overhaul Kit-Part No. 494624.

130200 to 130299

REF. NO.	PART NO.	DESCRIPTION	REF. NO.	PART NO.	DESCRIPTION	REF. NO.	PART NO.	DESCRIPTION
971	94018	Screw-Air Cleaner	983	490489	Light-Indicator	995	223887	Bracket-Link
978	271736	Gasket-Oil Switch			Uses:	995A	491577	Bracket-Link
979	494807	Cover-OIL GARD® Hole			280275 Tie-Cable	995B	223814	Bracket-Link
980	398182	Switch-OIL GARD®	983A	398660	Light-Indicator (For Mounting With Light Bracket)	995C	491577	Bracket-Link
981	223373	Bracket-Muffler Guard				1002	280783	Trim Strip (Blower Housing)
982	94658	Screw-OIL GARD® Cover	984	223773	Bracket-Light	1012	490507	Link-Retainer
982A	94657	Screw-OIL GARD® Mtg.	985	398525	Insulator Assembly	1016	490817	Spacer
			987	398970	Seal-Throttle Shaft	1019	491100	Label Kit
			994	399541	Arrestor-Spark			

★ Included in Gasket Set-
Part No. 397145.

● Included in Carburetor Overhaul Kit-
Part No. 494624.



BRIGGS & STRATTON

®